



# **DS-K3G501LX Series Tripod Turnstile**

**User Manual**

## Legal Information

### About this Document

- This Document includes instructions for using and managing the Product. Pictures, charts, images and all other information hereinafter are for description and explanation only.
- The information contained in the Document is subject to change, without notice, due to firmware updates or other reasons. Please find the latest version of the Document at the Hikvision website ( <https://www.hikvision.com> ). Unless otherwise agreed, Hangzhou Hikvision Digital Technology Co., Ltd. or its affiliates (hereinafter referred to as "Hikvision") makes no warranties, express or implied.
- Please use the Document with the guidance and assistance of professionals trained in supporting the Product.

### About this Product

- This product can only enjoy the after-sales service support in the country or region where the purchase is made.
- If the product you choose is a video product, please scan the following QR code to obtain the "Initiatives on the Use of Video Products", and read it carefully.



### Acknowledgment of Intellectual Property Rights

- Hikvision owns the copyrights and/or patents related to the technology embodied in the Products described in this Document, which may include licenses obtained from third parties.
- Any part of the Document, including text, pictures, graphics, etc., belongs to Hikvision. No part of this Document may be excerpted, copied, translated, or modified in whole or in part by any means without written permission.
- **HIKVISION** and other Hikvision's trademarks and logos are the properties of Hikvision in various jurisdictions.
- Other trademarks and logos mentioned are the properties of their respective owners.

### LEGAL DISCLAIMER

- TO THE MAXIMUM EXTENT PERMITTED BY APPLICABLE LAW, THIS DOCUMENT AND THE PRODUCT DESCRIBED, WITH ITS HARDWARE, SOFTWARE AND FIRMWARE, ARE PROVIDED "AS IS" AND "WITH ALL FAULTS AND ERRORS". HIKVISION MAKES NO WARRANTIES, EXPRESS OR

IMPLIED, INCLUDING WITHOUT LIMITATION, MERCHANTABILITY, SATISFACTORY QUALITY, OR FITNESS FOR A PARTICULAR PURPOSE. THE USE OF THE PRODUCT BY YOU IS AT YOUR OWN RISK. IN NO EVENT WILL HIKVISION BE LIABLE TO YOU FOR ANY SPECIAL, CONSEQUENTIAL, INCIDENTAL, OR INDIRECT DAMAGES, INCLUDING, AMONG OTHERS, DAMAGES FOR LOSS OF BUSINESS PROFITS, BUSINESS INTERRUPTION, OR LOSS OF DATA, CORRUPTION OF SYSTEMS, OR LOSS OF DOCUMENTATION, WHETHER BASED ON BREACH OF CONTRACT, TORT (INCLUDING NEGLIGENCE), PRODUCT LIABILITY, OR OTHERWISE, IN CONNECTION WITH THE USE OF THE PRODUCT, EVEN IF HIKVISION HAS BEEN ADVISED OF THE POSSIBILITY OF SUCH DAMAGES OR LOSS.

- YOU ACKNOWLEDGE THAT THE NATURE OF THE INTERNET PROVIDES FOR INHERENT SECURITY RISKS, AND HIKVISION SHALL NOT TAKE ANY RESPONSIBILITIES FOR ABNORMAL OPERATION, PRIVACY LEAKAGE OR OTHER DAMAGES RESULTING FROM CYBER-ATTACK, HACKER ATTACK, VIRUS INFECTION, OR OTHER INTERNET SECURITY RISKS; HOWEVER, HIKVISION WILL PROVIDE TIMELY TECHNICAL SUPPORT IF REQUIRED.
- YOU AGREE TO USE THIS PRODUCT IN COMPLIANCE WITH ALL APPLICABLE LAWS, AND YOU ARE SOLELY RESPONSIBLE FOR ENSURING THAT YOUR USE CONFORMS TO THE APPLICABLE LAW. ESPECIALLY, YOU ARE RESPONSIBLE, FOR USING THIS PRODUCT IN A MANNER THAT DOES NOT INFRINGE ON THE RIGHTS OF THIRD PARTIES, INCLUDING WITHOUT LIMITATION, RIGHTS OF PUBLICITY, INTELLECTUAL PROPERTY RIGHTS, OR DATA PROTECTION AND OTHER PRIVACY RIGHTS. YOU SHALL NOT USE THIS PRODUCT FOR ANY PROHIBITED END-USES, INCLUDING THE DEVELOPMENT OR PRODUCTION OF WEAPONS OF MASS DESTRUCTION, THE DEVELOPMENT OR PRODUCTION OF CHEMICAL OR BIOLOGICAL WEAPONS, ANY ACTIVITIES IN THE CONTEXT RELATED TO ANY NUCLEAR EXPLOSIVE OR UNSAFE NUCLEAR FUEL-CYCLE, OR IN SUPPORT OF HUMAN RIGHTS ABUSES.
- IN THE EVENT OF ANY CONFLICTS BETWEEN THIS DOCUMENT AND THE APPLICABLE LAW, THE LATTER PREVAILS.

### **Data Protection**

- To protect data, the development of Hikvision Products incorporates privacy by design principles. For example, for Products with facial recognition features, biometrics data is stored in your Products with encryption method; for fingerprint Products, only fingerprint template will be saved, which is impossible to reconstruct a fingerprint image.
- As a data controller/processor, you may process personal data, including collection, storage, use, processing, disclosure, deletion, etc. You are advised to pay attention to and comply with applicable laws and regulations related to the protection of personal data, including without limitation, conducting security controls to safeguard personal data, such as, implementing reasonable administrative and physical security controls, conduct periodic reviews and the assessments of the effectiveness of your security controls.

**© Hangzhou Hikvision Digital Technology Co., Ltd. All rights reserved.**

## Regulatory Information

### FCC Information

Please take attention that changes or modification not expressly approved by the party responsible for compliance could void the user's authority to operate the equipment.

FCC compliance: This equipment has been tested and found to comply with the limits for a Class A digital device, pursuant to part 15 of the FCC Rules. These limits are designed to provide reasonable protection against harmful interference when the equipment is operated in a commercial environment. This equipment generates, uses, and can radiate radio frequency energy and, if not installed and used in accordance with the instruction manual, may cause harmful interference to radio communications. Operation of this equipment in a residential area is likely to cause harmful interference in which case the user will be required to correct the interference at his own expense.

#### FCC Conditions

This device complies with part 15 of the FCC Rules. Operation is subject to the following two conditions:

1. This device may not cause harmful interference.
2. This device must accept any interference received, including interference that may cause undesired operation.

### EU Conformity Statement



This product and - if applicable - the supplied accessories too are marked with "CE" and comply therefore with the applicable harmonized European standards listed under the EMC Directive 2014/30/EU, RE Directive 2014/53/EU, the RoHS Directive 2011/65/EU



2012/19/EU (WEEE directive): Products marked with this symbol cannot be disposed of as unsorted municipal waste in the European Union. For proper recycling, return this product to your local supplier upon the purchase of equivalent new equipment, or dispose of it at designated collection points. For more information see: [www.recyclethis.info](http://www.recyclethis.info)



2006/66/EC (battery directive): This product contains a battery that cannot be disposed of as unsorted municipal waste in the European Union. See the product documentation for specific battery information. The battery is marked with this symbol, which may include lettering to indicate cadmium (Cd), lead (Pb), or mercury (Hg). For proper recycling, return the battery to your supplier or to a designated collection point. For more information see: [www.recyclethis.info](http://www.recyclethis.info)

This device complies with Industry Canada licence-exempt RSS standard(s). Operation is subject to the following two conditions:

- (1) this device may not cause interference, and
- (2) this device must accept any interference, including interference that may cause undesired operation of the device.

Le présent appareil est conforme aux CNR d'Industrie Canada applicables aux appareils radioexempts de licence. L'exploitation est autorisée aux deux conditions suivantes :

- (1) l'appareil ne doit pas produire de brouillage, et
- (2) l'utilisateur de l'appareil doit accepter tout brouillage radioélectrique subi, même si le brouillage est susceptible d'en compromettre le fonctionnement.

### **COMPLIANCE NOTICE**

The thermal series products might be subject to export controls in various countries or regions, including without limitation, the United States, European Union, United Kingdom and/or other member countries of the Wassenaar Arrangement. Please consult your professional legal or compliance expert or local government authorities for any necessary export license requirements if you intend to transfer, export, re-export the thermal series products between different countries.



## Safety Instruction

These instructions are intended to ensure that user can use the product correctly to avoid danger or property loss.

The precaution measure is divided into Dangers and Cautions:

**Dangers:** Neglecting any of the warnings may cause serious injury or death.

**Cautions:** Neglecting any of the cautions may cause injury or equipment damage.

	
<b>Dangers:</b> Follow these safeguards to prevent serious injury or death.	<b>Cautions:</b> Follow these precautions to prevent potential injury or material damage.

### **Danger:**

- In the use of the product, you must be in strict compliance with the electrical safety regulations of the nation and region.
- The equipment must be connected to an earthed mains socket-outlet.
- Shock hazard! Disconnect all power sources before maintenance.
- Do not touch the bare metal contacts of the inlets after the circuit breaker is turned off. Electricity still exists.
- ⚡ indicates hazardous live and the external wiring connected to the terminals requires installation by an instructed person.
- Keep body parts away from fan blades. Disconnect the power source during servicing.
- Keep body parts away from motors. Disconnect the power source during servicing.
- To prevent possible hearing damage, do not listen at high volume levels for long periods.
- All the electronic operation should be strictly compliance with the electrical safety regulations, fire prevention regulations and other related regulations in your local region.
- Do not connect several devices to one power adapter as adapter overload may cause over-heat or fire hazard.
- Please make sure that the power has been disconnected before you wire, install or dismantle the device.  
If the top caps should be open and the device should be powered on for maintenance, make sure:
  1. Power off the fan to prevent the operator from getting injured accidentally.
  2. Do not touch bare high-voltage components.
  3. Make sure the switch's wiring sequence is correct after maintenance.
- Please make sure that the power has been disconnected before you wire, install or dismantle the device.
- When the product is installed on wall or ceiling, the device shall be firmly fixed.
- If smoke, odors or noise rise from the device, turn off the power at once and unplug the power cable, and then please contact the service center.

- Do not ingest battery, Chemical Burn Hazard.  
This product contains a coin/button cell battery. If the coin/button cell battery is swallowed, it can cause severe internal burns in just 2 hours and can lead to death.  
Keep new and used batteries away from children. If the battery compartment does not close securely, stop using the product and keep it away from children. If you think batteries might have been swallowed or placed inside any part of the body, seek immediate medical attention.
- If the product does not work properly, please contact your dealer or the nearest service center. Never attempt to disassemble the device yourself. (We shall not assume any responsibility for problems caused by unauthorized repair or maintenance.)
- Operation of this equipment in a residential environment could cause radio interference.
- The device do not support the PoE network switch. Connecting with the PoE network switch may damage the control board.

### **Cautions:**

- The equipment shall not be exposed to dripping or splashing and that no objects filled with liquids, such as vases, shall be placed on the equipment.
- Ensure correct wiring of the terminals for connection to an AC mains supply.
- The equipment has been designed, when required, modified for connection to an IT power distribution system.
- + identifies the positive terminal(s) of equipment which is used with, or generates direct current.  
+ identifies the negative terminal(s) of equipment which is used with, or generates direct current.
- No naked flame sources, such as lighted candles, should be placed on the equipment.
- This equipment is suitable for mounting on concrete or other non-combustible surface only.
- Install the equipment according to the instructions in this manual.
- To prevent injury, this equipment must be securely attached to the floor/wall in accordance with the installation instructions.
- The main element of the turnstile is stainless steel, which is rustless (antioxidant) and corrosion resistant (The anti corrosion ability in the medium of acid, alkali, and salt). In order to keep the stainless steel from being oxidized or corroded, you should clean and care the turnstile surface periodically.

The instructions and tips for maintaining the turnstile are as follows:

- Select different stainless steel types according to the variety of the environments. You can select 304 stainless steel for common circumstances and 316 stainless steel for the scenarios of seashores and chemical plants.
- Keep the device surface clean and dry.
- Use non-woven cloth and ethyl alcohol to clean the dirt on the device surface.
- Use sourcing pad (do not use mesh cleaning ball) to clean the rust on the device surface by following the wire drawing on the stainless steel. And then use non-woven cloth and stainless steel cleaner to wipe the device surface.
- Clean and maintain the device by using non-woven cloth and stainless steel cleaner periodically. It is suggest to clean the device every month in common circumstances and every week for severe environments (seaside and chemical plants for instance).

## DS-K3G501LX Series Tripod Turnstile User Manual

---

- Do not drop the device or subject it to physical shock, and do not expose it to high electromagnetism radiation. Avoid the equipment installation on vibrations surface or places subject to shock (ignorance can cause equipment damage).
- Do not place the device in extremely hot (refer to the specification of the device for the detailed operating temperature), cold, dusty or damp locations, and do not expose it to high electromagnetic radiation.
- The device cover for indoor use shall be kept from rain and moisture.
- Exposing the equipment to direct sun light, low ventilation or heat source such as heater or radiator is forbidden (ignorance can cause fire danger).
- Do not aim the device at the sun or extra bright places. A blooming or smear may occur otherwise (which is not a malfunction however), and affecting the endurance of sensor at the same time.
- Please use the provided glove when open up the device cover, avoid direct contact with the device cover, because the acidic sweat of the fingers may erode the surface coating of the device cover.
- Please use a soft and dry cloth when clean inside and outside surfaces of the device cover, do not use alkaline detergents.
- Please keep all wrappers after unpack them for future use. In case of any failure occurred, you need to return the device to the factory with the original wrapper. Transportation without the original wrapper may result in damage on the device and lead to additional costs.
- Improper use or replacement of the battery may result in hazard of explosion. Replace with the same or equivalent type only. Dispose of used batteries according to the instructions provided by the battery manufacturer.
- Biometric recognition products are not completely applicable to anti-spoofing environments. If you require a higher security level, use multiple authentication modes.
- Do not stay in the lane when the device is rebooting.
- **RISK OF EXPLOSION IF BATTERY IS REPLACED BY AN INCORRECT TYPE. DISPOSE OF USED BATTERIES ACCORDING TO THE INSTRUCTIONS.**
- **SUITABLE FOR MOUNTING ON CONCRETE OR OTHER NON-COMBUSTIBLE SURFACE ONLY.**
- The instructions shall require connection of the equipment protective earthing conductor to the installation protective earthing conductor.

## Available Models

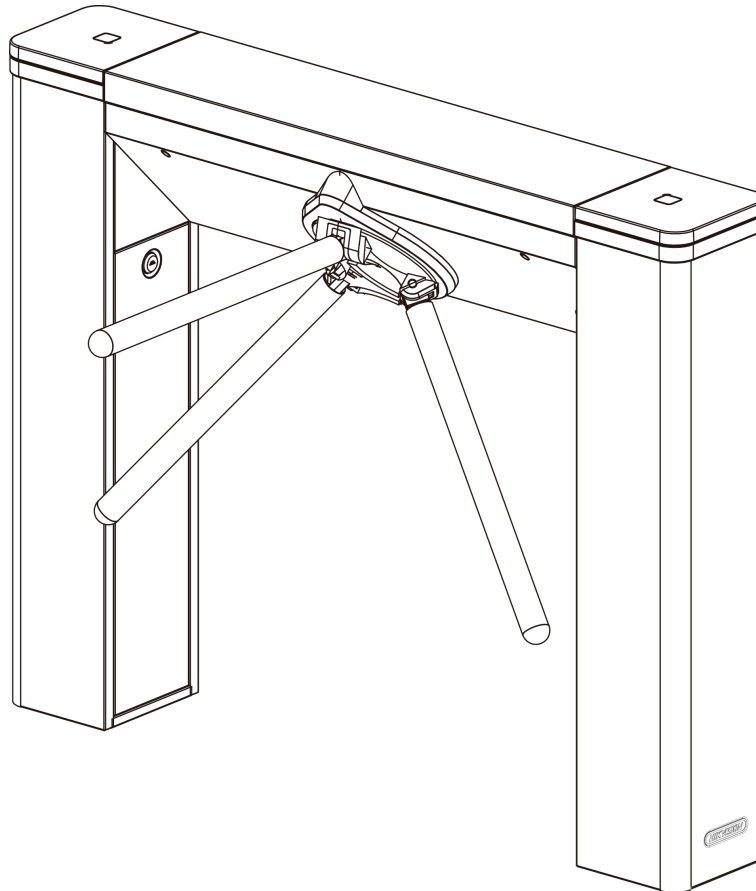
Product Name	Model
Tripod Turnstile	DS-K3G501LX

# Contents

<b>Chapter 1 Overview</b> .....	<b>1</b>
1.1 Introduction .....	1
1.2 Main Features .....	1
<b>Chapter 2 System Wiring</b> .....	<b>3</b>
<b>Chapter 3 Installation</b> .....	<b>5</b>
3.1 Disassemble Pedestals .....	5
3.2 Install Pedestals .....	5
<b>Chapter 4 General Wiring</b> .....	<b>9</b>
4.1 Components Introduction .....	9
4.2 Wiring Electric Supply .....	9
4.3 Terminal Description .....	11
4.3.1 Lane Control Board Terminal Description .....	11
4.3.2 Optional Board Terminal Description (Optional) .....	12
4.3.3 General Wiring .....	12
<b>Chapter 5 Device Settings via Button</b> .....	<b>14</b>
5.1 Configuration via Button .....	15
5.2 Pair Keyfob via Button .....	17
<b>Appendix A. Button Configuration Description</b> .....	<b>18</b>
<b>Appendix B. Event and Alarm Type</b> .....	<b>21</b>
<b>Appendix C. Table of Audio Index Related Content</b> .....	<b>22</b>
<b>Appendix D. Communication Matrix and Device Command</b> .....	<b>23</b>

## Chapter 1 Overview

### 1.1 Introduction



The tripod turnstile is designed to detect unauthorized entrance or exit. By adopting the turnstile integratedly with the access control system, person should authenticate to pass through the lane via swiping IC or ID card, scanning QR code, etc. It is widely used in attractions, stadiums, construction sites, residences, etc.

### 1.2 Main Features

- 32-bit high-speed processor
- Remaining open/closed mode selectable
- Bidirectional (Entering/Exiting) lane  
The barrier opening and closing speed can be configured according to the visitor flow
- Self-detection, Self-diagnostics, and automatic alarm
- Remote control and management

- Online/offline operation
- LED indicates the entrance/exit and passing status
- Barrier is in free status when powered down. People can pass through the lane along single/both single and double directions
- Fire alarm passing  
When the fire alarm is triggered, the barrier will be dropped down automatically for emergency evacuation
- Valid passing duration settings  
System will cancel the passing permission if a person does not pass through the lane within the valid passing duration
- Up to 3000 visitor cards and up to 60,000 cards except for visitor cards can be added
- Up to 180,000 presenting card events can be recorded

## Chapter 2 System Wiring

The preparation before installation and general wiring.

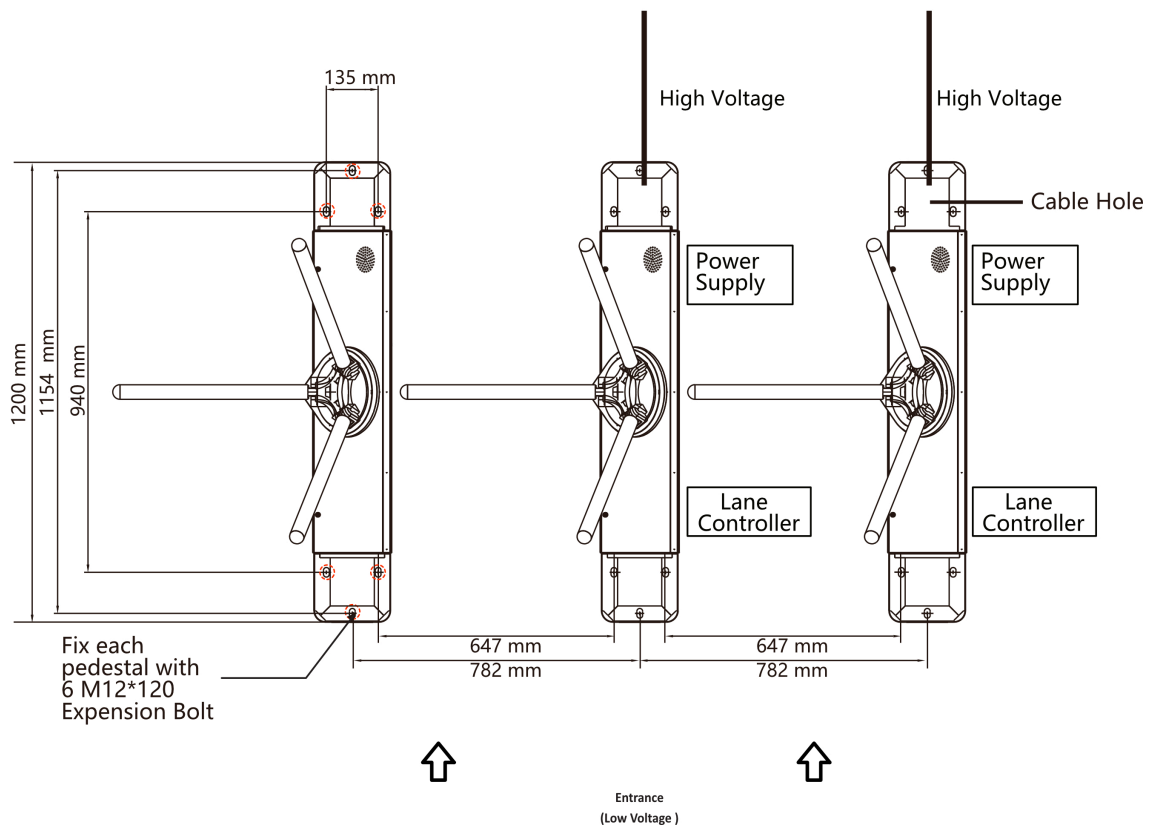
### Steps

1. Draw a central line on the installation surface of the left or right pedestal.
2. Draw other parallel lines for installing the other pedestals.

### Note

The distance between the nearest two line is  $L+200$  mm. L represents the lane width.

3. Slot on the installation surface and dig installation holes according to the diagram.



**Figure 2-1 Hole Position Diagram**

4. Bury cables. Each lane buries 1 network cable and 1 high voltage cable. For details, see the system wiring diagram above.



### **Note**

- The suggested inner diameter of the low voltage conduit is larger than 30 mm.
  - If the face recognition module are required to be connected on the left lane, you should increase the conduit diameter or bury another conduit for the external cables.
  - You should bury one network cable and one high voltage conduit for the right and middle lane.
  - The network cable must be CAT5e or the network cable has better performance.
-

## Chapter 3 Installation

### 3.1 Disassemble Pedestals

Before installation, you should use the key to open the pedestals.

View the pictures below to find the lock holes.

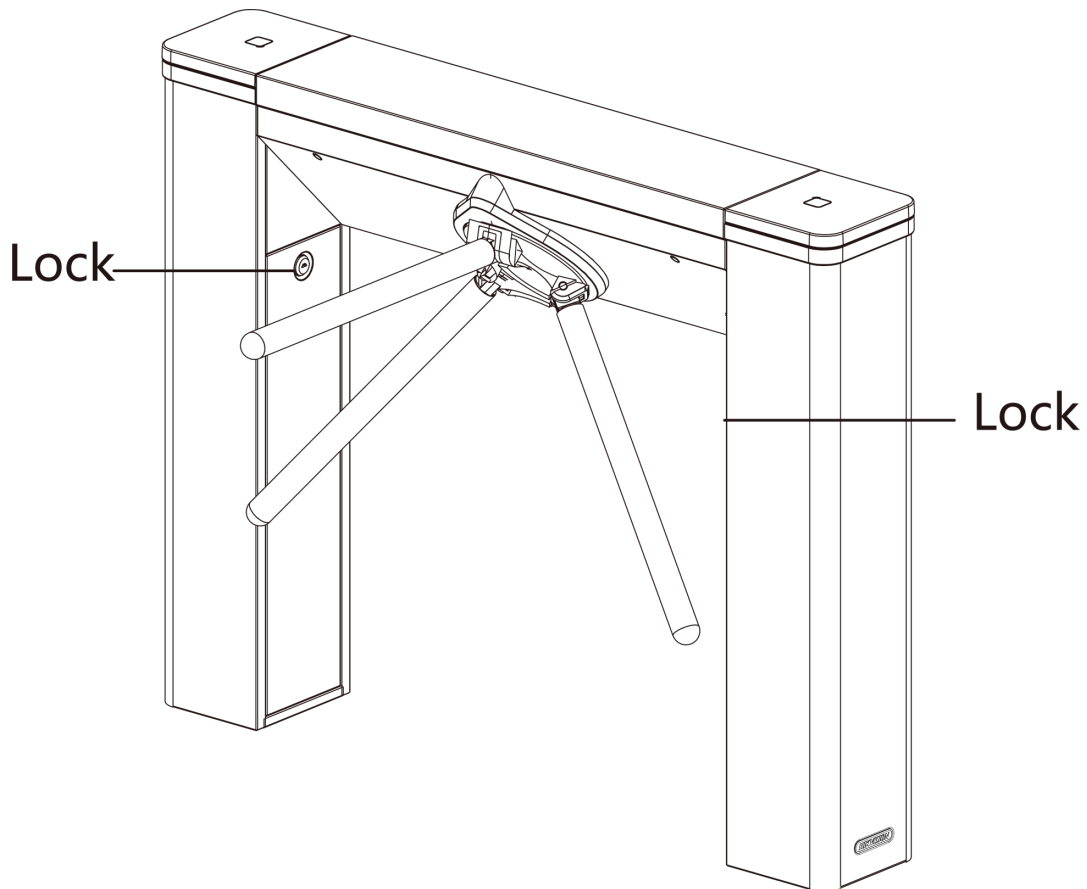


Figure 3-1 Lock Holes

### 3.2 Install Pedestals

#### Before You Start

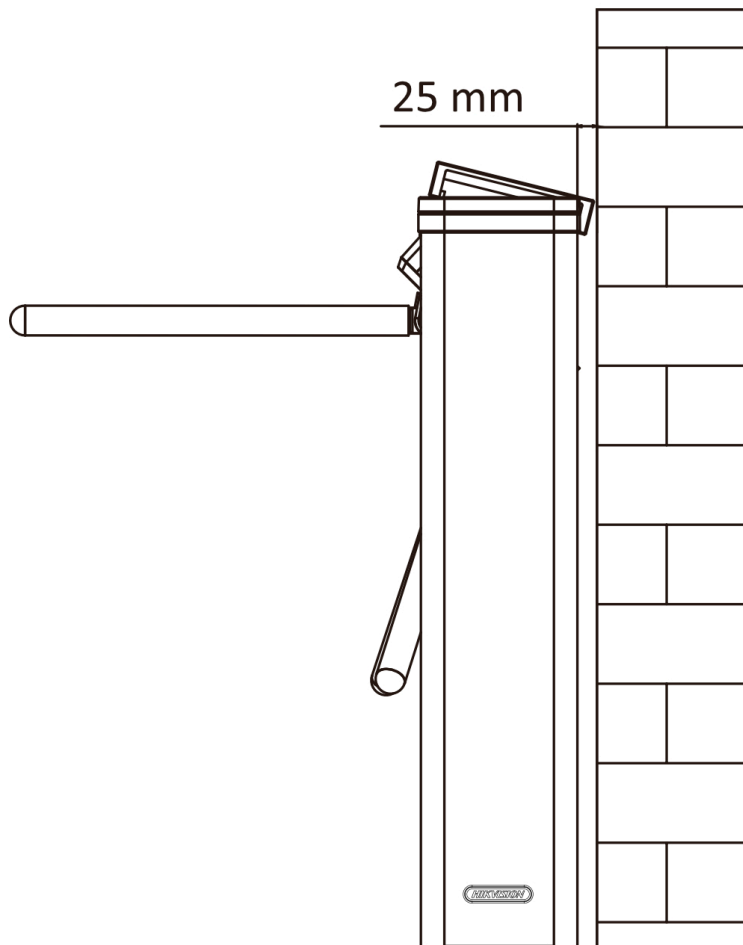
Prepare for the installation tools, check the device and the accessories, and clear the installation base.

## Steps

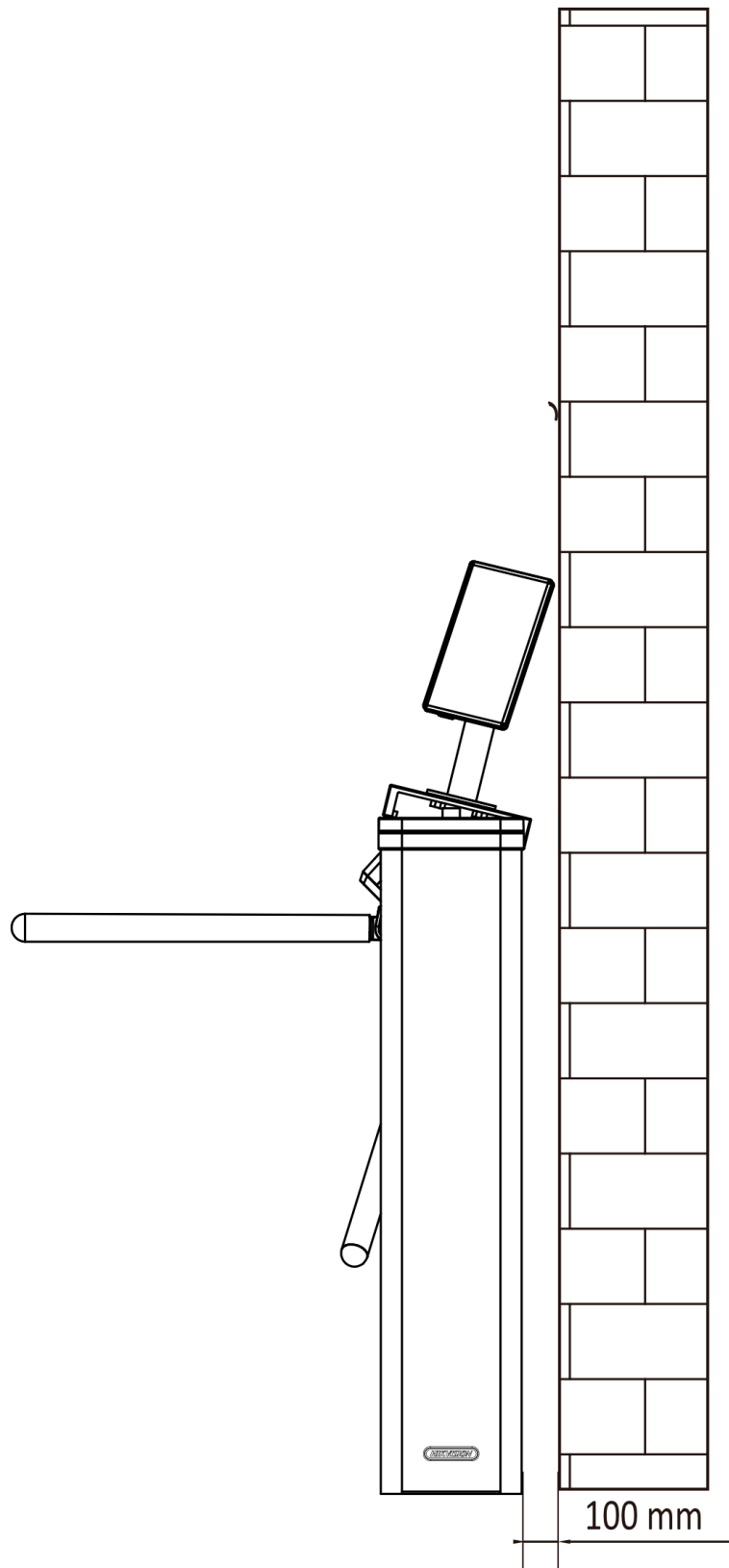
---

### Note

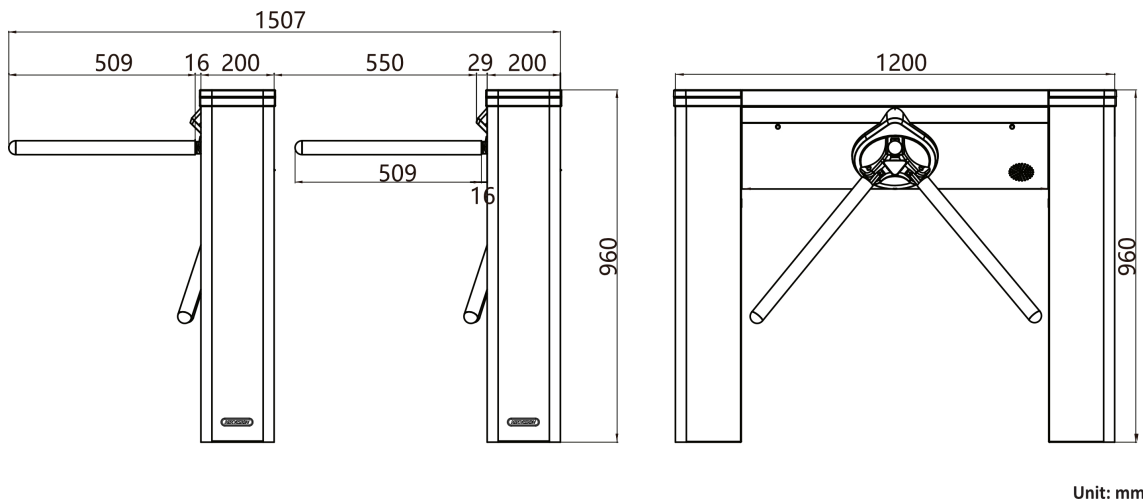
- The device should be installed on the concrete surface or other non-flammable surfaces.
- No face recognition terminal installed: If the installation area is too close to the wall, make sure the distance between the pedestal and the wall should be more than 25 mm, or the surface may be scratched.



Face recognition terminal installed: If the installation area is too close to the wall, make sure the distance between the pedestal and the wall should be more than 100 mm, or the surface may be scratched.



- The dimension is as follows.



**Figure 3-2 Dimension**

1. Prepare for the installation tools, check the components, and prepare for the installation base.
2. Drill holes on the ground according to the installation holes on the pedestals and insert the expansion sleeves.
3. According to the entrance and exit marks on the pedestals, move the pedestals to the position.
4. Seal the bottom of the turnstile to avoid water from entering.

---

**Note**

Make sure the installation holes on the pedestals and the base are aligned with each other.

5. Secure the pedestals with expansion bolts.

---

**Note**

Do not immerse the pedestal in the water. In special circumstances, the immersed height should be no more than 690 mm.

6. Install the arms with 3 screws.

---

**Note**

Apply thread glue on the screws before securing the arms, in order to prevent the arms from dropping down because of the vibration or the long time usage of the device.

---

## Chapter 4 General Wiring

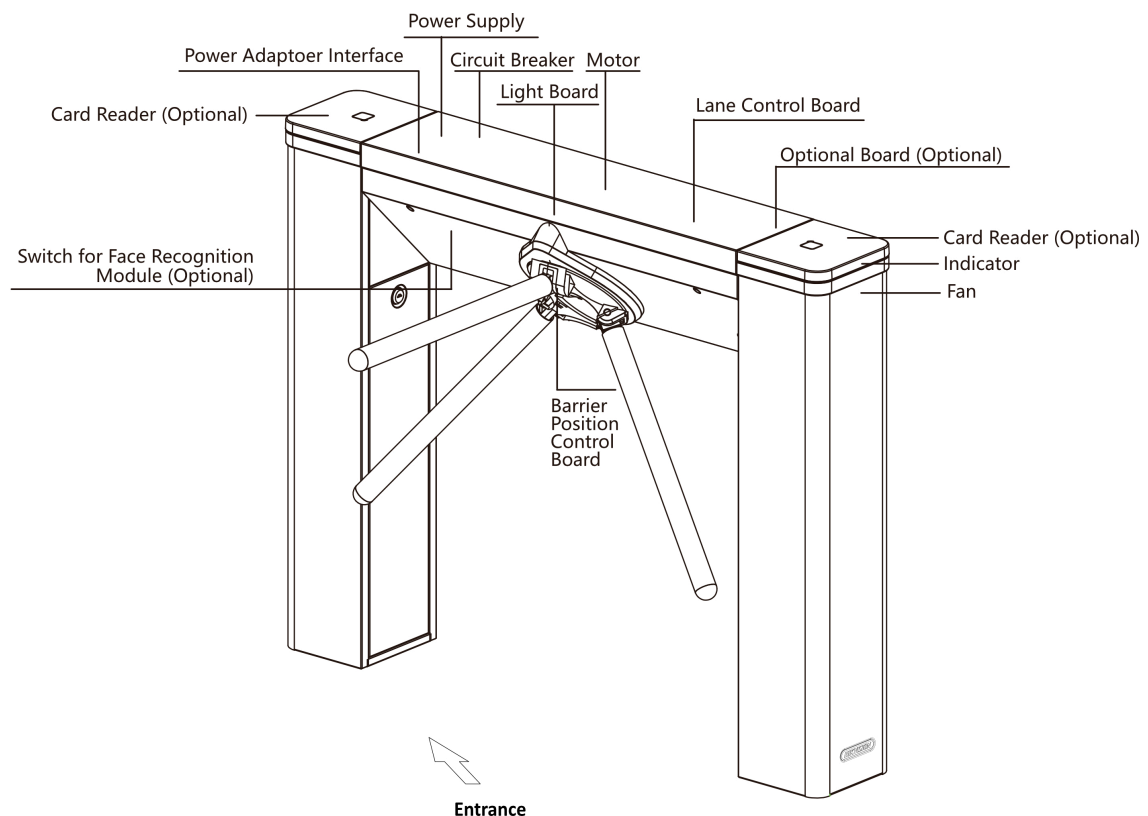
### 4.1 Components Introduction

By default, basic components of the turnstile are connected well. The turnstile supports wiring the AC electric supply for the whole system's power supply.

 **Note**

The voltage fluctuation of the electric supply is between 100 VAC and 240 VAC, 50 to 60 Hz.

The picture displayed below describes each component's position on the turnstile.

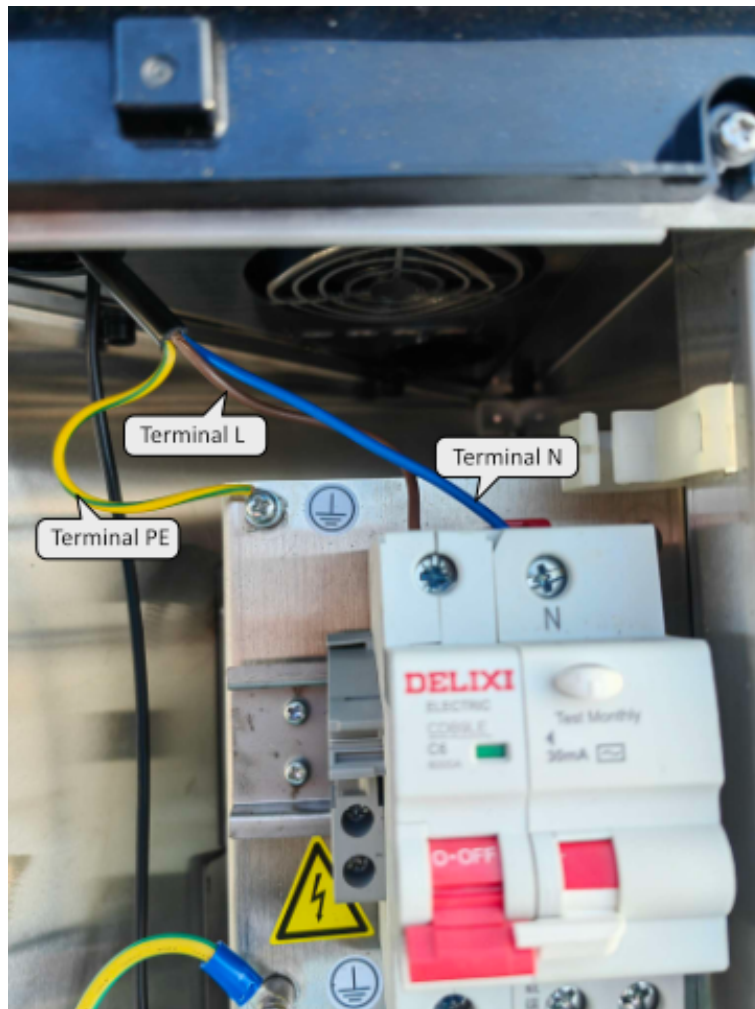


**Figure 4-1 Components Diagram**

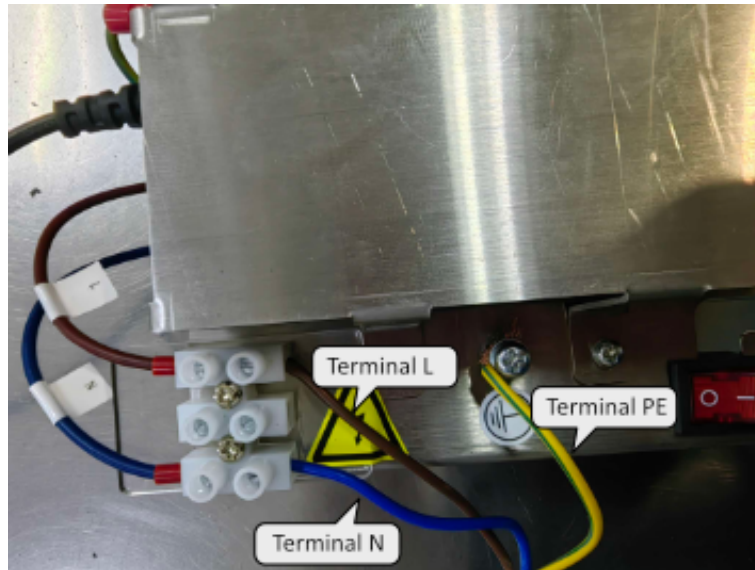
### 4.2 Wiring Electric Supply

Wire electric supply with the switch in the pedestal. Terminal L (brown) and terminal N (Blue) are on the switch, while terminal PE should connect to a ground wire (yellow and green wire).

For product with switching power supply, the wiring diagram is as follows:



For product with switching power adapter, the wiring diagram is as follows:



---

**Warning**

Terminal PE should connect to a ground wire to avoid hazard when people touching the device.

---

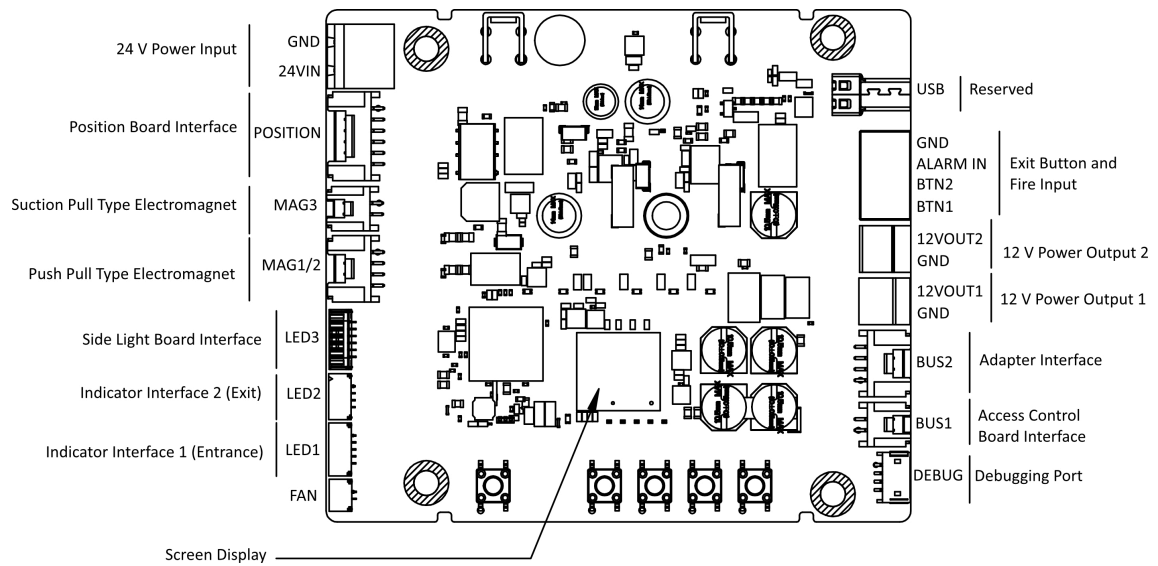
**Note**

- The cable bare part should be no more than 8 mm. If possible, wear an insulation cap at the end of the bare cable. Make sure there's no bare copper or cable after the wiring.
  - The Terminal L and the Terminal N cannot be wired reversely. Do not wire the input and output terminal reversely.
  - To avoid people injury and device damage, when testing, the ground resistance of the equipotential points should not be larger than 2  $\Omega$ .
- 

## 4.3 Terminal Description

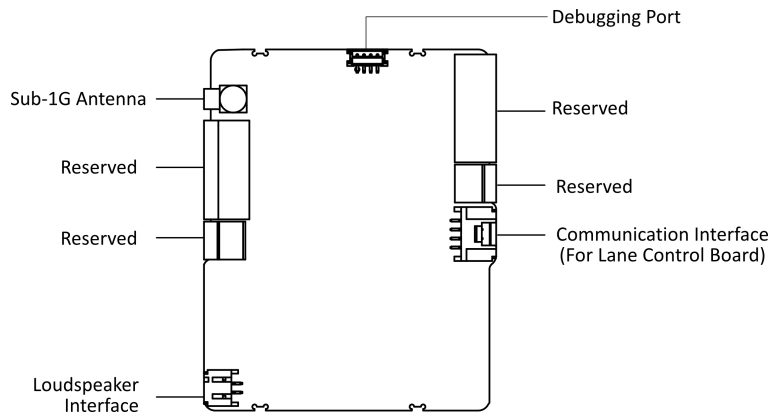
### 4.3.1 Lane Control Board Terminal Description

The picture displayed below is the main control board diagram.



### 4.3.2 Optional Board Terminal Description (Optional)

Optional board is for keyfob and loudspeaker functions.

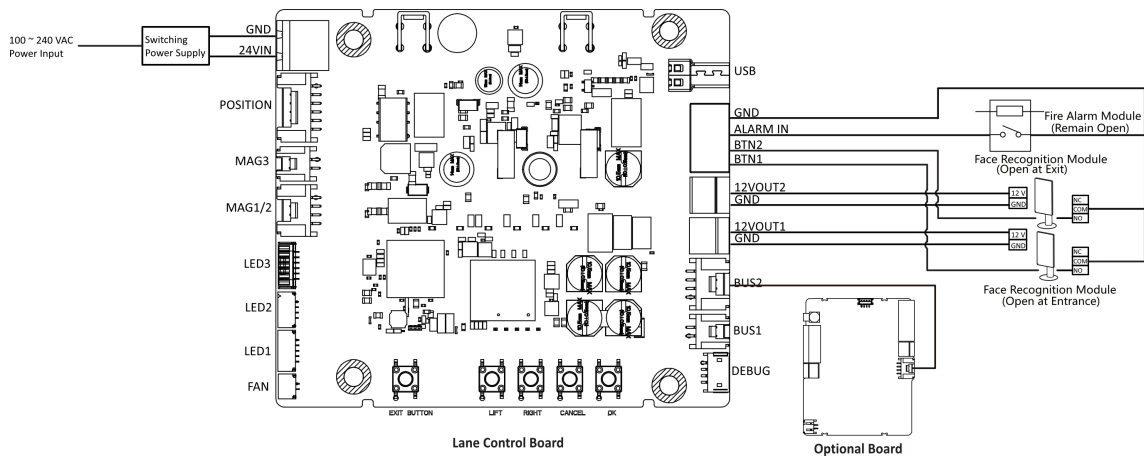


**Figure 4-2 Optional Board Terminal**

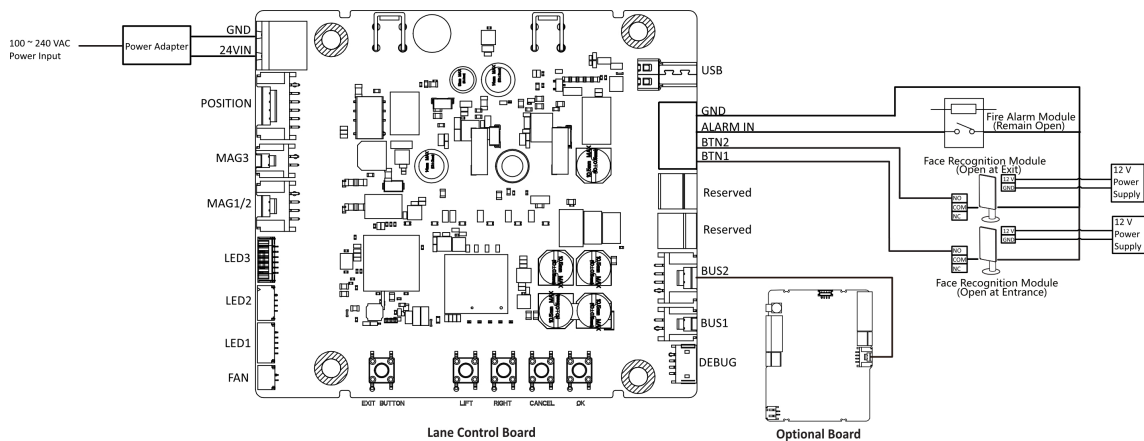
### 4.3.3 General Wiring

The general wiring of the lane control board.

# DS-K3G501LX Series Tripod Turnstile User Manual



**Figure 4-3 General Wiring of Pedestal with Power Switch**



**Figure 4-4 General Wiring of Pedestal with Power Adapter**

**Note**

- You will need to prepare the 14AWG power cable to connect the AC power input to power supply.
- The fire alarm module, face recognition module and exit button use the same grounding interface.
- Gate opens at the entrance/exit: connect to BTN1/BTN2 and GND.
- The two 12 V power output interfaces are the power supply for face recognition terminals, which is only supported by the product with power switch.
- For models with power adapter, the power supply for face recognition modules is not contained in package

## Chapter 5 Device Settings via Button

You can configure the device via button on the main lane control board.

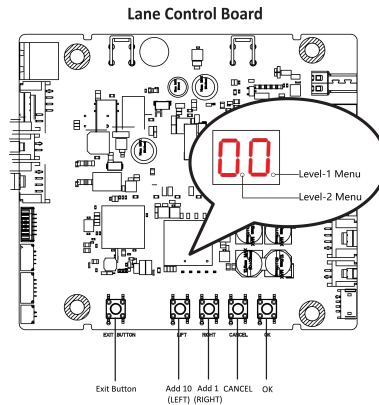
Function	Main Lane Control Board Only
Working Mode	
keyfob Pairing	Configure via button (refer to <b><i><u>Pair Keyfob via Button</u></i></b> )
Passing Mode	Configure via button
Memory Mode	Configure via button
Parameter Settings	
Keyfob Working Mode	Configure via button
Barrier Opening Duration	Configure via button
Barrier Closing Duration	Configure via button
Volume Adjustment	Configure via button
Authenticated Passing	Not support
Invalid Card No.	Not support
Unmatched Fingerprint	Not support
Reverse Intrusion	Configure via button
Passing Timeout	Configure via button
Unauthorized Passing	Not support
Authentication Timeout	Not support
Authentication Failure	Not support
Expired Certificate	Not support
Light Brightness	Configure via button
Clearing People Counting	Configure via button
Fire Protection Type	Configure via button
Restore to Default	Configure via button

Refer to ***Button Configuration Description*** for detailed information.

## 5.1 Configuration via Button

### Button Description

The buttons are on the lane control board.



**Figure 5-1 Button**

### Exit Button

- Single press to open the gate from the entrance position.
- Double press to open the gate from the exit position.

### Parameter Configuration Button

- LEFT: Press to add ten to configuration data
- RIGHT: Press to add one configuration data
- CANCEL: Return to the level-1 menu, or exit the configuration from the level-1 menu
- OK: Confirm the data, or enter configuration mode, or enter the submenu



### Note

- Configuration data is displayed by two digital tubes.
  - Level-1 Menu: If the decimal point on the right is on, it indicates the level-1 menu. The number represents the configuration item number.
  - Level-2 Menu: if the decimal point in the middle is on, it indicates the level -2 menu. The number represents the parameters of a configuration item.
-

## Button Configuration Procedure

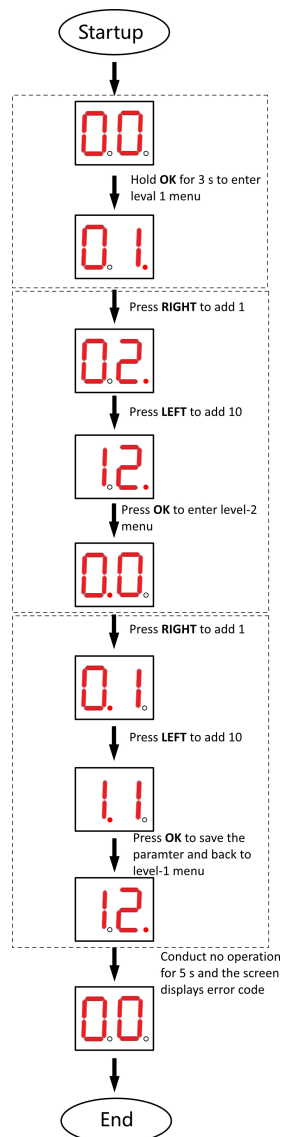


Figure 5-2 Procedure

### Steps:

1. Enter the configuration mode. The number of 1 will show up on the right side of the screen and the device is ready for configuration.
2. Press **LEFT** and **RIGHT** to set the configuration No. Press **OK** to enter the level-2 menu and view the parameters. Press **CANCEL**, or conduct no operation for 5 s to cancel configuration.
3. Press **LEFT** and **RIGHT** to set the parameters at your needs. Press **OK** to save the changes or press **CANCEL** back to configuration No. setting without saving changes. Conduct no operations for 5 s to cancel configuration.

## 5.2 Pair Keyfob via Button

Pair the keyfob to the device via button to open/close the barrier remotely.

### Before You Start

- Optional board is necessary for keyfob functions.
- Ask our technique supports or sales and purchase the keyfob.

### Steps

---

#### Note

- For details about button's operation, see [\*\*Configuration via Button\*\*](#) .
  - For details about the configuration No. and its related function, see [\*\*Button Configuration Description\*\*](#) .
  - For details about the keyfob operation instructions, see the keyfob's user manual.
- 

1. Enter the keyfob pairing mode.
  - 1) Enter the configuration mode.
  - 2) Set the configuration No. in Level-1 to **2**. The device will enter the keyfob pairing mode.
  - 3) Set the configuration No. in the Level-2 menu to **2**. The device will enter the keyfob pairing mode.
2. Hold the **Close** button for more than 10 seconds.

The keyfob's indicator will flash if the pairing is completed.
3. Exit the keyfob pairing mode.
  - 1) Enter the configuration mode.
  - 2) Set the configuration No. in Level-1 to **2**. The device will enter the keyfob pairing mode.
  - 3) Set the configuration No. in the Level-2 menu to **1**. The device will exit the keyfob pairing mode.

## Appendix A. Button Configuration Description

Refer to the table below for device configuration via button on the lane control board.

No.	Description	Default Value	Parameters	Notes
2	keyfob Pairing	1	1-Normal Mode 2-Pairing Mode	
3	Passing Mode	1	1-Both sides under control 2-Entrance under control; exit prohibited 3-Entrance under control; exit on free passing mode 4-Both sides on free passing mode 5-Entrance on free passing mode; exit under control 6-Entrance on free passing mode; exit prohibited 7-Both sides prohibited 8-Entrance prohibited; exit under control 9-Entrance prohibited; exit on free passing mode	
4	Memory Mode	2	1-Disable 2-Enable	
5	keyfob Remote Control	2	1-one to one 1-one to multiple	

## DS-K3G501LX Series Tripod Turnstile User Manual

---

No.	Description	Default Value	Parameters	Notes
9	Enter Duration	5	5-5s, 6-6s, 7-7s, ..., 60-60s	
10	Exit Duration	5	5-5s, 6-6s, 7-7s, ..., 60-60s	
21	Volume	2	1-0, 2-1, 3-2, 4-3, 5-4	The device will be muted when set to "1".
22	Authenticated Passing	1	1-Disable 2-Enable	Unable to change
23	Invalid Card No.	1	1-Disable 2-Enable	Unable to change
24	Fingerprint Unmatched	1	1-Disable 2-Enable	Unable to change
26	Reverse Passing	1	1-Disable 2-Enable	
27	Exceeding Passing Duration	1	1-Disable 2-Enable	
31	Unauthorized Passing	1	1-Disable 2-Enable	Unable to change
32	Exceeding Authentication Duration	1	1-Disable 2-Enable	Unable to change
33	Failed Authentication	1	1-Disable 2-Enable	Unable to change
34	Expired Certificate	1	1-Disable 2-Enable	Unable to change
39	Brightness of Light	3	0-0, 1-1, 2-2, ... , 10-10	The higher the value is, the brighter the light will be.
42	Clearing People Counting	1	1-Default 2-Enable	

No.	Description	Default Value	Parameters	Notes
43	Fire Protection Type	2	1-Remain Closed 2-Remain Open	
99	Restore to Default	1	1- Default 2- Start	The device will reboot.

## Appendix B. Event and Alarm Type

Event	Alarm Type
Passing Timeout	None

## Appendix C. Table of Audio Index Related Content

Index	Content
1	Authenticated.
2	Card No. does not exist.
3	Card No. and fingerprint mismatch.
4	Passing timeout.
5	No permissions.
6	Authentication time out.
7	Authentication failed.
8	Expired card.

## Appendix D. Communication Matrix and Device Command

### Communication Matrix

Scan the following QR code to get the device communication matrix.

Note that the matrix contains all communication ports of Hikvision access control and video intercom devices.



Figure D-1 QR Code of Communication Matrix

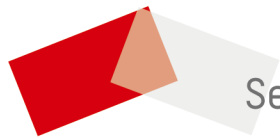
### Device Command

Scan the following QR code to get the device common serial port commands.

Note that the command list contains all commonly used serial ports commands for all Hikvision access control and video intercom devices.



Figure D-2 Device Command



See Far, Go Further