

HIKVISION

DS-K3G501C(L)X Series Tripod Turnstile with Module

Quick Start Guide

UD44163B-B

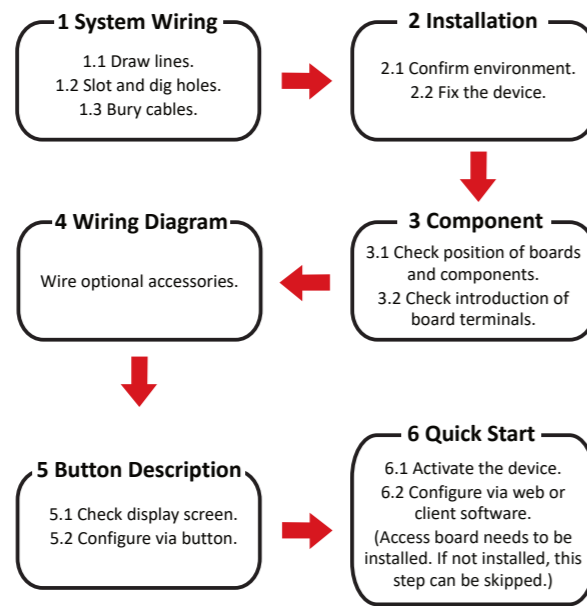
User Manual



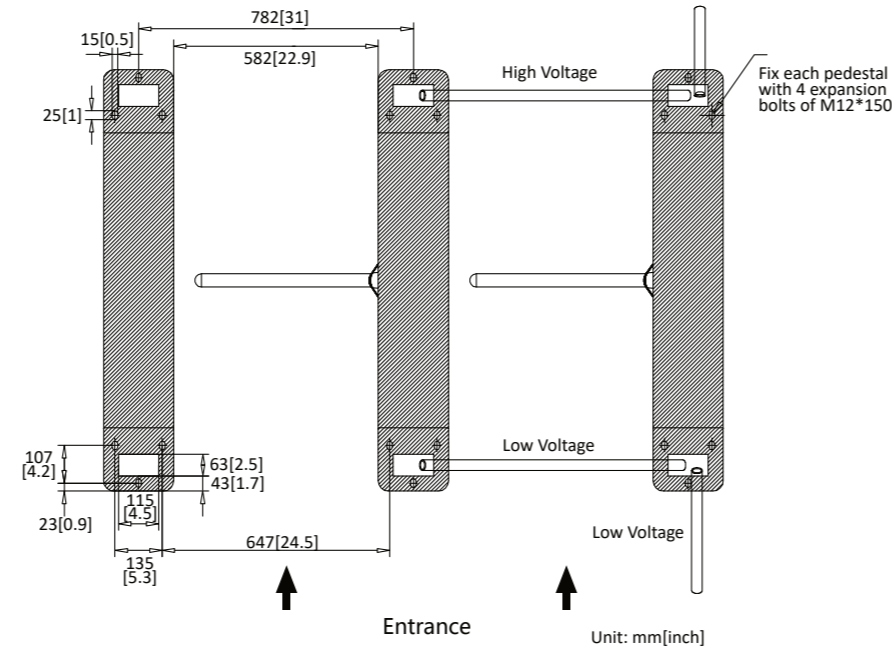
Wiring & Installation Video



Quick Start Flow Chart



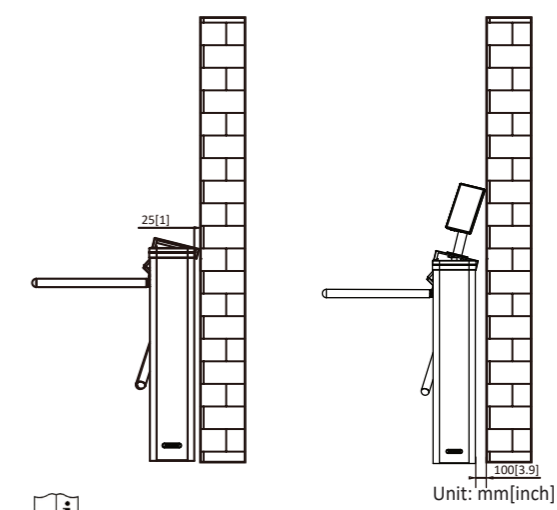
1 System Wiring



- Steps:**
1. Draw a central line on the installation surface of the left or right pedestal.
 2. Draw other parallel lines for installing the other pedestals.
 - The distance between the nearest two lines is 782 mm.
 3. Slot on the installation surface and drill installation holes after determining the hole positions. Put 4 expansion bolts of M12*150 for each pedestal.
 4. Bury cables.
 - High voltage: 100 to 240 VAC, 50 to 60 Hz AC power input
 - Low voltage: network communication cable
 - The inner diameter of the low voltage conduit and of the high voltage (AC power cord) conduit should be larger than 30 mm. If any high-power authentication device is required to install on the left pedestal, the diameter of its conduits should be larger.
 - If you want to bury both of the AC power cord and the low voltage cable, the two cables should be in separated conduits to avoid interference.
 - If more peripherals are required to connect, you should increase the conduit diameter or bury another conduit for the external cables.
 - The external AC power cord should be double-insulated.
 - The network cable must be CAT5e or other cables with better performance.
 5. Before digging holes, evaluate the thickness of the installation surface to avoid puncturing.
 6. You can not thread cables in the diagonal area.

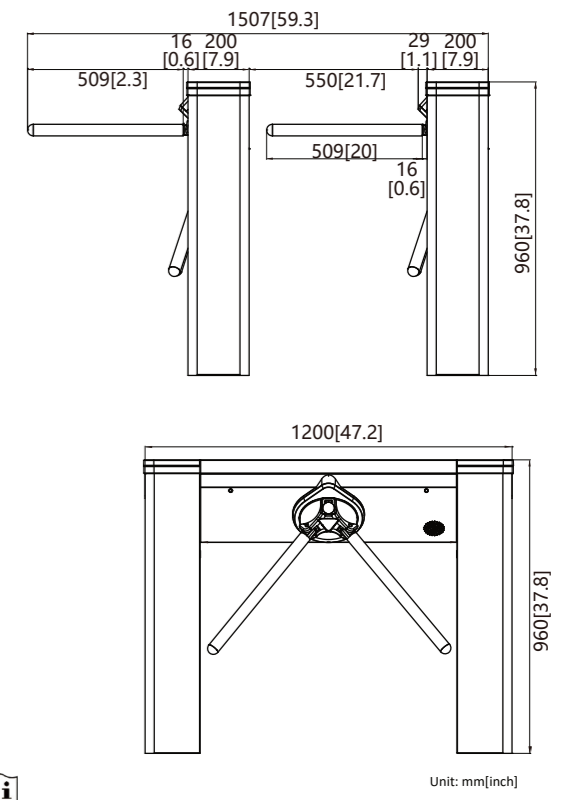
2 Installation

- Steps:**
1. Prepare for the installation tools, check the components, and prepare for the installation base.
 2. Drill holes on the ground according to the installation holes on the pedestals and insert the expansion sleeves.
 3. According to the entrance and exit marks on the turnstiles, move the turnstiles over the pre-embedded expansion bolts.
 4. Seal the bottom of the turnstile to avoid water from entering.
 5. Secure the pedestals with expansion bolts.
- Notes:**
- Make sure the device is installed on flat surface. The foundation should be hard and the thickness should exceed the length of the expansion bolt.
 - The installation tools are put inside the package of the pedestal.
 - In order to prevent stainless steel from rusting due to dirt during the installation, it is recommended to tear off the protective film after the device is installed.
 - There may be residual glue at the film cutting position, and it is recommended to wipe the glue with WD-40 protective liquid after tearing the film.
 - Avoid immersing the pedestal in water. Under special circumstances, the immersion height should not exceed 150 mm.



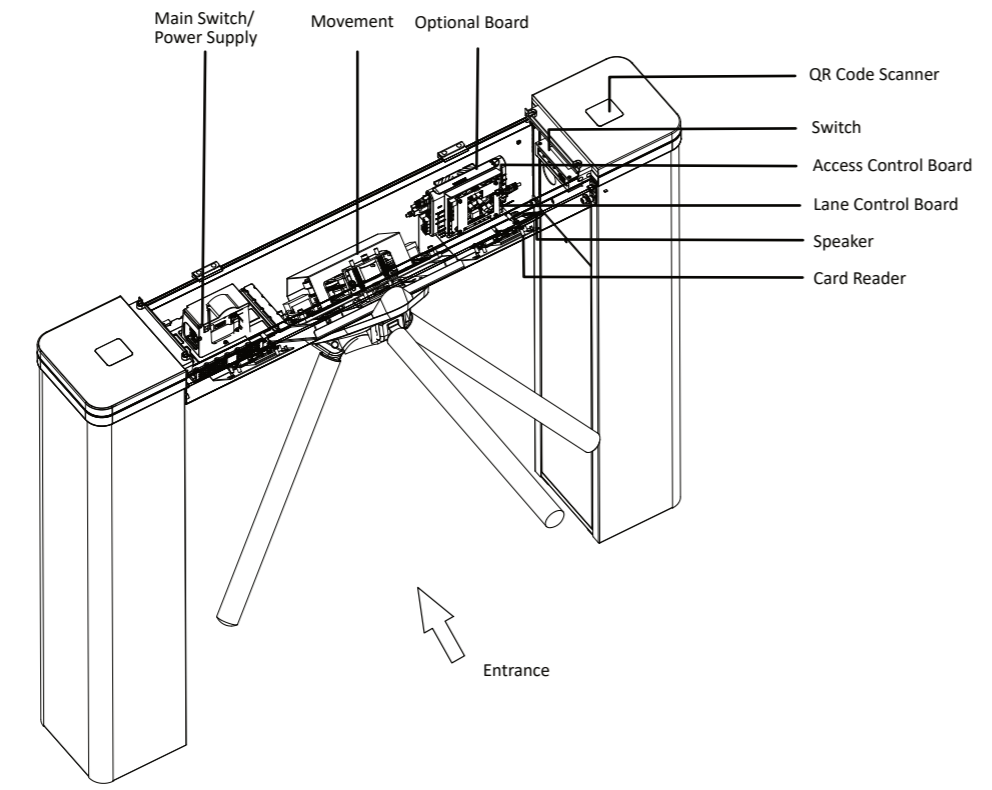
If the installation area is close to the wall, make sure the distance between the pedestal (without face recognition terminal) and the wall should be more than 25mm (100 mm for pedestal with face recognition terminal), or you cannot open the pedestal's top panel.

Dimensions

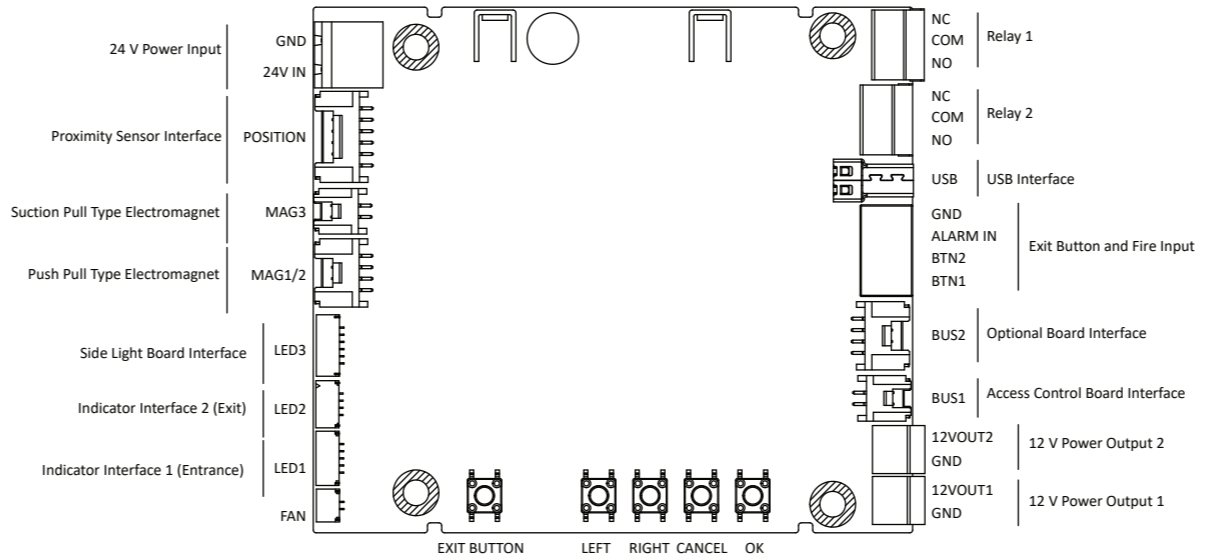


We recommend applying the models with power adapter to indoor scenarios.

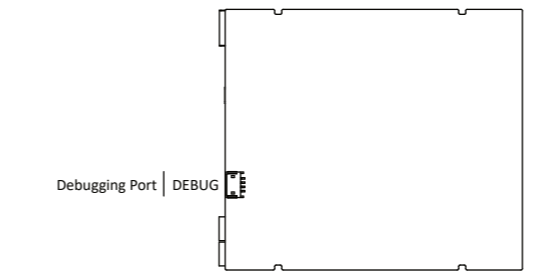
3 Components Introduction



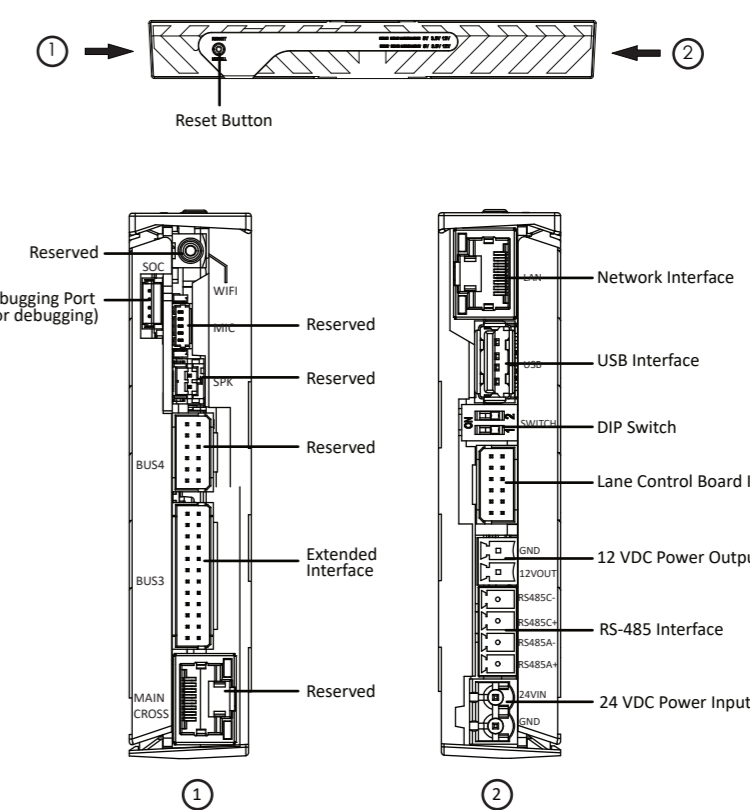
● Lane Control Board (Front)



● Lane Control Board (Rear)



● Access Control Board (Optional)



- Notes:**
- Hold the reset button for 5 s, the device will beep for 3 s and start restoring to factory settings.
 - RS-485A corresponds to port 3 on web and is for QR code scanner connection at entrance by default; RS-485B corresponds to port 4 on web and is for QR code scanner connection at exit by default; RS-485C corresponds to port 5 on web and is for card reader connection by default; RS-485D corresponds to port 6 on web and is for card reader connection by default.

