



Intelligent Entrance ANPR Camera

Quick Start Guide

About this Document

- This Document includes instructions for using and managing the Product. Pictures, charts, images and all other information hereinafter are for description and explanation only.
- The information contained in the Document is subject to change, without notice, due to firmware updates or other reasons. Please find the latest version of the Document at the Hikvision website (<https://www.hikvision.com>). Unless otherwise agreed, Hangzhou Hikvision Digital Technology Co., Ltd. or its affiliates (hereinafter referred to as "Hikvision") makes no warranties, express or implied.
- Please use the Document with the guidance and assistance of professionals trained in supporting the Product.

About this Product

This product can only enjoy the aftersales service support in the country or region where the purchase is made.

Acknowledgment of Intellectual Property Rights

- Hikvision owns the copyrights and/or patents related to the technology embodied in the Products described in this Document, which may include licenses obtained from third parties.
- Any part of the Document, including text, pictures, graphics, etc., belongs to Hikvision. No part of this Document may be excerpted, copied, translated, or modified in whole or in part by any means without written permission.
- **HIKVISION** and other Hikvision's trademarks and logos are the properties of Hikvision in various jurisdictions.
- Other trademarks and logos mentioned are the properties of their respective owners.

LEGAL DISCLAIMER

- TO THE MAXIMUM EXTENT PERMITTED BY APPLICABLE LAW, THIS DOCUMENT AND THE PRODUCT DESCRIBED, WITH ITS HARDWARE, SOFTWARE AND FIRMWARE, ARE PROVIDED "AS IS" AND "WITH ALL FAULTS AND ERRORS". HIKVISION MAKES NO WARRANTIES, EXPRESS OR IMPLIED, INCLUDING WITHOUT LIMITATION, MERCHANTABILITY, SATISFACTORY QUALITY, OR FITNESS FOR A PARTICULAR PURPOSE. THE USE OF THE PRODUCT BY YOU IS AT YOUR OWN RISK. IN NO EVENT WILL HIKVISION BE LIABLE TO YOU FOR ANY SPECIAL, CONSEQUENTIAL, INCIDENTAL, OR INDIRECT DAMAGES, INCLUDING, AMONG OTHERS, DAMAGES FOR LOSS OF BUSINESS PROFITS, BUSINESS INTERRUPTION, OR LOSS OF DATA, CORRUPTION OF SYSTEMS, OR LOSS OF DOCUMENTATION, WHETHER BASED ON BREACH OF CONTRACT, TORT (INCLUDING NEGLIGENCE), PRODUCT LIABILITY, OR OTHERWISE, IN CONNECTION WITH THE USE OF THE PRODUCT, EVEN IF HIKVISION HAS BEEN ADVISED OF THE POSSIBILITY OF SUCH DAMAGES OR LOSS.
- YOU ACKNOWLEDGE THAT THE NATURE OF THE INTERNET PROVIDES FOR INHERENT SECURITY

RISKS, AND HIKVISION SHALL NOT TAKE ANY RESPONSIBILITIES FOR ABNORMAL OPERATION, PRIVACY LEAKAGE OR OTHER DAMAGES RESULTING FROM CYBERATTACK, HACKER ATTACK, VIRUS INFECTION, OR OTHER INTERNET SECURITY RISKS; HOWEVER, HIKVISION WILL PROVIDE TIMELY TECHNICAL SUPPORT IF REQUIRED.

- YOU AGREE TO USE THIS PRODUCT IN COMPLIANCE WITH ALL APPLICABLE LAWS, AND YOU ARE SOLELY RESPONSIBLE FOR ENSURING THAT YOUR USE CONFORMS TO THE APPLICABLE LAW. ESPECIALLY, YOU ARE RESPONSIBLE, FOR USING THIS PRODUCT IN A MANNER THAT DOES NOT INFRINGE ON THE RIGHTS OF THIRD PARTIES, INCLUDING WITHOUT LIMITATION, RIGHTS OF PUBLICITY, INTELLECTUAL PROPERTY RIGHTS, OR DATA PROTECTION AND OTHER PRIVACY RIGHTS. YOU SHALL NOT USE THIS PRODUCT FOR ANY PROHIBITED ENDUSES, INCLUDING THE DEVELOPMENT OR PRODUCTION OF WEAPONS OF MASS DESTRUCTION, THE DEVELOPMENT OR PRODUCTION OF CHEMICAL OR BIOLOGICAL WEAPONS, ANY ACTIVITIES IN THE CONTEXT RELATED TO ANY NUCLEAR EXPLOSIVE OR UNSAFE NUCLEAR FUELCYCLE, OR IN SUPPORT OF HUMAN RIGHTS ABUSES.
- IN THE EVENT OF ANY CONFLICTS BETWEEN THIS DOCUMENT AND THE APPLICABLE LAW, THE LATTER PREVAILS.




© Hangzhou Hikvision Digital Technology Co., Ltd. All rights reserved.

Safety Instructions

- The supplement light of the device has a Class 1 retinal blue light or thermal injury risk at 200 mm. Avoid looking directly at the supplement light when it is on, as it may cause eye injury.
- When installing or maintaining the device without appropriate protection (such as wearing sunglasses), you must be outside the safe distance or in an area not directly illuminated by the light source.

Symbol Conventions

The symbols that may be found in this document are defined as follows.

Symbol	Description
 Note	Provides additional information to emphasize or supplement important points of the main text.
 Caution	Indicates a potentially hazardous situation, which if not avoided, could result in equipment damage, data loss, performance degradation, or unexpected results.
 Danger	Indicates a hazard with a high level of risk, which if not avoided, will result in death or serious injury.

Chapter 1 Introduction

1.1 Product Introduction

Intelligent Entrance ANPR Camera (hereinafter referred to as "device") consists of an ANPR camera, a display screen, and a voice module. It supports license plate capture at entrances and exits, and provides message prompts and voice prompts.

1.2 Features

- Integrated capture and display. Capture results are displayed in real time.
- 2 MP high-definition camera. Resolution: 1920 × 1200; frame rate: 25 fps.
- All-in-one design. Integrates dual LED supplement lights, camera module, shield, lens, and power adapter into a single device.
- Supports software auto-focus. Using a 3.1 to 6 mm electric zoom lens for convenient debugging and strong scene adaptability.
- Supports multiple trigger modes, including coil trigger, video trigger, radar trigger, coil combined with video trigger, etc.
- Supports multi-language display, including Thai, Vietnamese, and English.
- Built-in voice module supports pre-recorded voice prompt via ANPR camera.

Chapter 2 Installation

When you receive the product, check whether there is obvious damage on the product package and its appearance first. Then open the package and check whether all the accessories are included. If something is lost, contact us or our supplier.

2.1 Before Installation

2.1.1 Installation Environment

- Install the device using the provided vertical pole on a horizontal ground or refuge island.
- The installation position should be 4 to 5 m away from the license plate capture position, ensuring no obstructions in the scene.

2.1.2 Lay Cables

Lay the cables that need to be connected, including the network cable, power cord, etc.



Check the power supply voltage to prevent any device damage caused by inconsistent voltage levels.

2.2 Install Device

Install the device at a suitable site according to the following steps.



Be sure to fix the device firmly in the installation position, and make safety precautions if necessary. Check regularly. Device falling may cause serious personal injury or death.

Step 1 Fix the vertical pole.

- 1) Drill holes at the installation position according to the fixing holes on the bottom of the pole, with the 2 cable holes at the lower part of the pole facing backward.
- 2) Insert 3 M8 × 80 expansions screws into the drilled holes, and tighten the nuts to secure the expansion screws in place, and then unscrew the nuts.
- 3) Align the fixing holes on the bottom of the pole with the embedded expansion screws.

- 4) Install the 2 flat washers (larger first, then smaller) and spring washers in sequence, and tighten the nuts to secure the vertical pole.

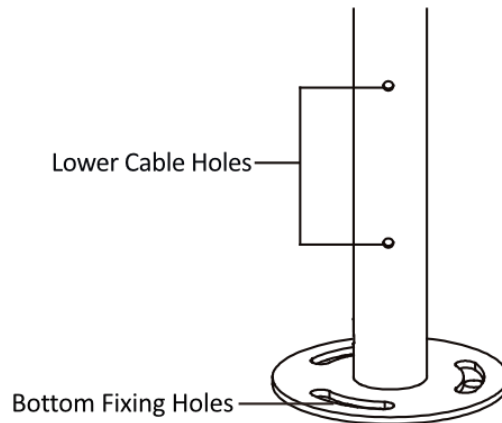


Figure 2-1 Fix Vertical Pole

Step 2 Adjust the camera lens vertically to the lowest position, and tighten the 2 screws between the camera and the upper part of the universal joint (do not tighten other screws) to prevent device from shaking during installation.

Step 3 Fix the display screen.

- 1) Align the screw holes at the bottom of the display screen with the screw holes at the top of the pole.
- 2) Insert 4 M6 screws and tighten them to secure the display screen.

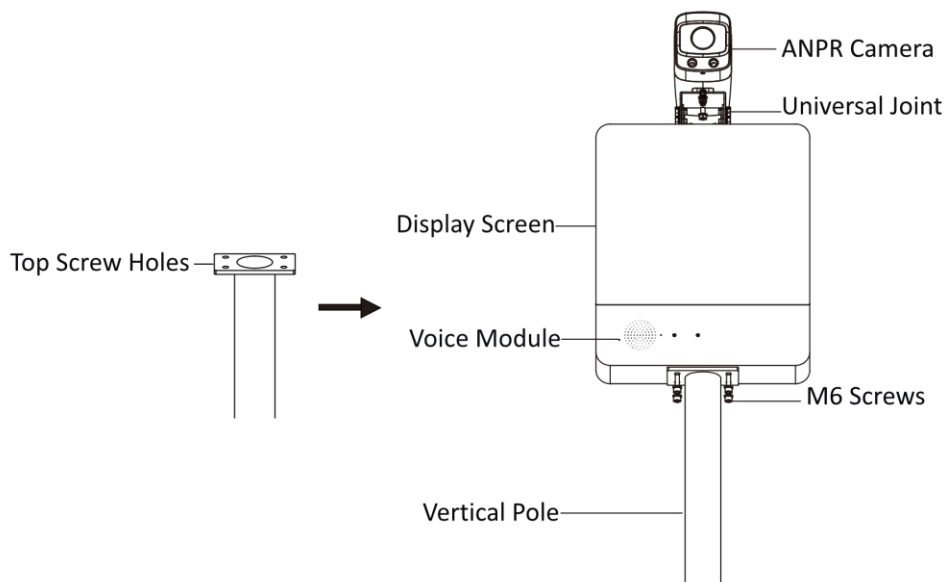


Figure 2-2 Fix Display Screen

Step 4 Adjust the ANPR camera shooting angle.

- 1) Loosen (do not remove) the bottom screws of the universal joint, and then rotate the camera lens to the desired direction.
- 2) Tighten the bottom screws.
- 3) Loosen the screws on both sides of the universal joint, and adjust the camera lens vertically to the desired angle.
- 4) Tighten all screws.

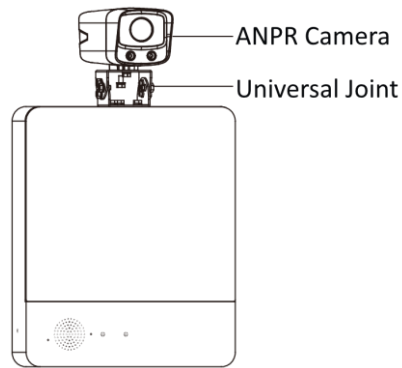


Figure 2-3 Adjust ANPR Camera Angle

2.3 Wiring

After the device is installed correctly, perform the wiring according to the following steps.

Before you start

Cut off the power supply before wiring.

- Step 1 Open the back cover of the display screen, and route the supplement light cables through the pole and into the display screen interface.

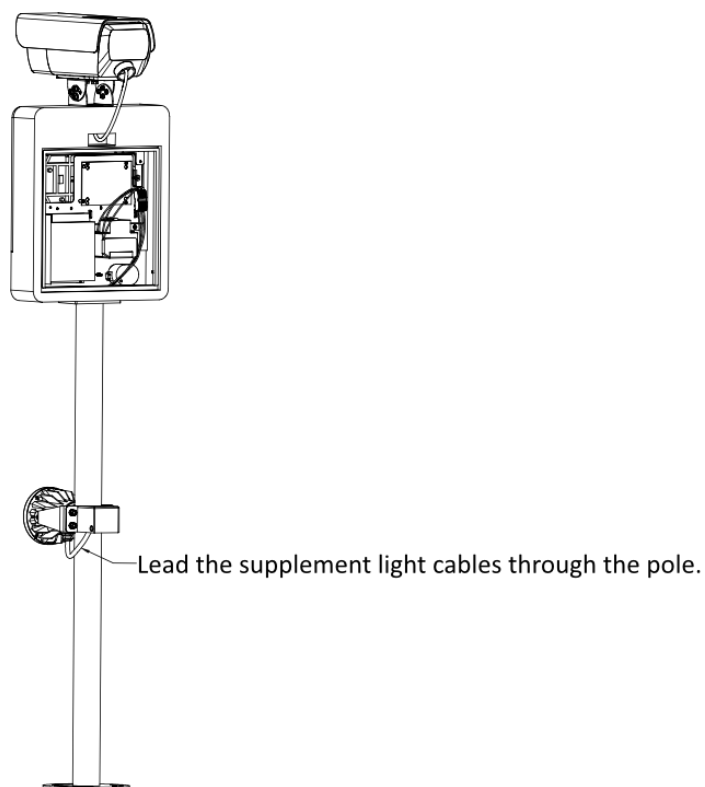
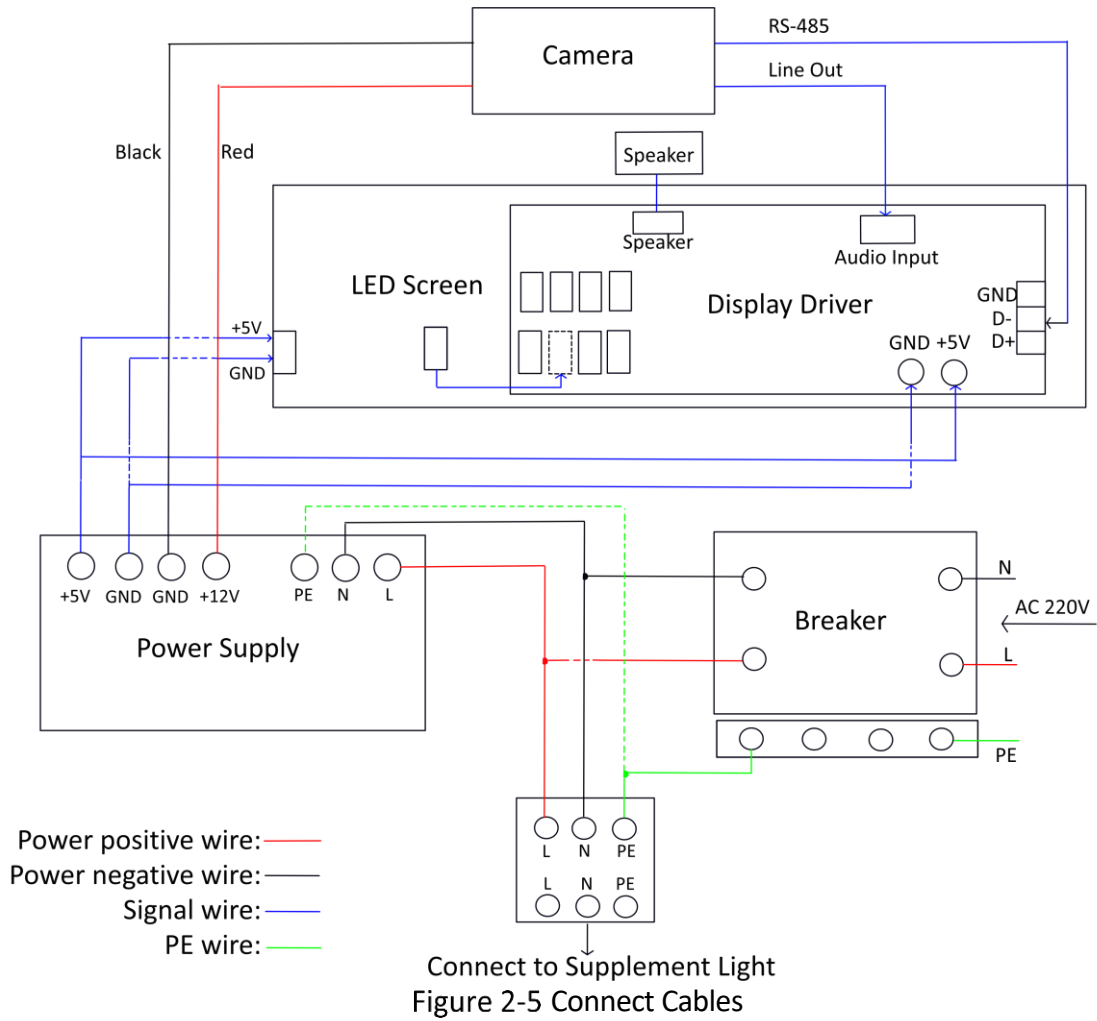


Figure 2-4 Lead Supplement Light Cables

Step 2 Connect the cables according to the figure below.



2.4 Start Up

After the installation and wiring is completed correctly, connect the power supply and start it up.

Note

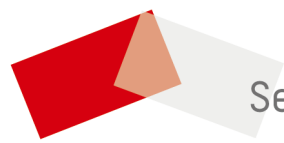
If the device cannot start up normally, check if the cable connection is normal. If the problem persists, troubleshoot the cable wiring, etc.

Chapter 3 Detailed Configuration

Scan the QR code below to get the user manual for detailed configuration.



Figure 3-1 User Manual QR Code



See Far, Go Further

UD42566B-A