



Manual Call Point
HF-AMP1/HF-CMP1
User Manual

Legal Information

© Hangzhou Hikvision Digital Technology Co., Ltd. All rights reserved.

About this Document

- This Document includes instructions for using and managing the Product. Pictures, charts, images and all other information hereinafter are for description and explanation only.
- The information contained in the Document is subject to change, without notice, due to firmware updates or other reasons. Please find the latest version of the Document at the Hikvision website (<https://www.hikvision.com>). Unless otherwise agreed, Hangzhou Hikvision Digital Technology Co., Ltd. or its affiliates (hereinafter referred to as "Hikvision") makes no warranties, express or implied.
- Please use the Document with the guidance and assistance of professionals trained in supporting the Product.

About this Product

This product can only enjoy the after-sales service support in the country or region where the purchase is made.

Acknowledgment of Intellectual Property Rights

- Hikvision owns the copyrights and/or patents related to the technology embodied in the Products described in this Document, which may include licenses obtained from third parties.
- Any part of the Document, including text, pictures, graphics, etc., belongs to Hikvision. No part of this Document may be excerpted, copied, translated, or modified in whole or in part by any means without written permission.
- **HIKVISION** and other Hikvision's trademarks and logos are the properties of Hikvision in various jurisdictions.
- Other trademarks and logos mentioned are the properties of their respective owners.

LEGAL DISCLAIMER

- TO THE MAXIMUM EXTENT PERMITTED BY APPLICABLE LAW, THIS DOCUMENT AND THE PRODUCT DESCRIBED, WITH ITS HARDWARE, SOFTWARE AND FIRMWARE, ARE PROVIDED "AS IS" AND "WITH ALL FAULTS AND ERRORS". HIKVISION MAKES NO WARRANTIES, EXPRESS OR IMPLIED, INCLUDING WITHOUT LIMITATION, MERCHANTABILITY, SATISFACTORY QUALITY, OR FITNESS FOR A PARTICULAR PURPOSE. THE USE OF THE PRODUCT BY YOU IS AT YOUR OWN RISK. IN NO EVENT WILL HIKVISION BE LIABLE TO YOU FOR ANY SPECIAL, CONSEQUENTIAL, INCIDENTAL, OR INDIRECT DAMAGES, INCLUDING, AMONG OTHERS, DAMAGES FOR LOSS OF BUSINESS PROFITS, BUSINESS INTERRUPTION, OR LOSS OF DATA, CORRUPTION OF SYSTEMS, OR LOSS OF DOCUMENTATION, WHETHER BASED ON BREACH OF CONTRACT, TORT (INCLUDING NEGLIGENCE), PRODUCT LIABILITY, OR OTHERWISE, IN CONNECTION WITH THE USE OF THE PRODUCT, EVEN IF HIKVISION HAS BEEN ADVISED OF THE POSSIBILITY OF SUCH DAMAGES OR LOSS.
- YOU ACKNOWLEDGE THAT THE NATURE OF THE INTERNET PROVIDES FOR INHERENT SECURITY RISKS, AND HIKVISION SHALL NOT TAKE ANY RESPONSIBILITIES FOR ABNORMAL OPERATION, PRIVACY LEAKAGE OR OTHER DAMAGES RESULTING FROM CYBER-ATTACK, HACKER ATTACK, VIRUS INFECTION, OR OTHER INTERNET SECURITY RISKS; HOWEVER, HIKVISION WILL PROVIDE TIMELY TECHNICAL SUPPORT IF REQUIRED.
- YOU AGREE TO USE THIS PRODUCT IN COMPLIANCE WITH ALL APPLICABLE LAWS, AND YOU ARE SOLELY RESPONSIBLE FOR ENSURING THAT YOUR USE CONFORMS TO THE APPLICABLE LAW. ESPECIALLY, YOU ARE RESPONSIBLE, FOR USING THIS PRODUCT IN A MANNER THAT DOES NOT INFRINGE ON THE RIGHTS OF THIRD PARTIES, INCLUDING WITHOUT LIMITATION, RIGHTS OF PUBLICITY, INTELLECTUAL PROPERTY RIGHTS, OR DATA PROTECTION AND OTHER PRIVACY RIGHTS. YOU SHALL NOT USE THIS PRODUCT FOR ANY PROHIBITED END-USES, INCLUDING THE DEVELOPMENT OR PRODUCTION OF WEAPONS OF MASS DESTRUCTION, THE DEVELOPMENT OR PRODUCTION OF CHEMICAL OR BIOLOGICAL WEAPONS, ANY ACTIVITIES IN THE CONTEXT RELATED TO ANY NUCLEAR EXPLOSIVE OR UNSAFE NUCLEAR FUEL-CYCLE, OR IN SUPPORT OF HUMAN RIGHTS ABUSES.
- IN THE EVENT OF ANY CONFLICTS BETWEEN THIS DOCUMENT AND THE APPLICABLE LAW, THE LATTER PREVAILS.

Data Protection

- To protect data, the development of Hikvision Products incorporates privacy by design principles. For example, for Products with facial recognition features, biometrics data is stored in your Products with encryption method; for fingerprint Products, only fingerprint template will be saved, which is impossible to reconstruct a fingerprint image.
- As a data controller/processor, you may process personal data, including collection, storage, use, processing, disclosure, deletion, etc. You are advised to pay attention to and comply with applicable laws and regulations related to the protection of personal data, including without limitation, conducting security controls to safeguard personal data, such as, implementing reasonable administrative and physical security controls, conduct periodic reviews and the assessments of the effectiveness of your security controls.

Pre-Use Description

- Go to our website (www.hikvision.com) to get manuals, application tools, and development materials.
- Please sync the device before use.
- Part of the web page configuration in the manual is applicable to the latest software version. Please contact technical support personnel to update the software.

Regulatory Information



This product and - if applicable - the supplied accessories too are marked with "CE" and comply therefore with the applicable harmonized European standards listed under the EMC Directive 2014/30/EU, the RoHS Directive 2011/65/EU. Construction products (CPR) Regulation (EU) No 305/2011.



Directive 2012/19/EU (WEEE directive): Products marked with this symbol cannot be disposed of as unsorted municipal waste in the European Union. For proper recycling, return this product to your local supplier upon the purchase of equivalent new equipment, or dispose of it at designated collection points. For more information see: <http://www.recyclethis.info>





Regulation (EU) 2023/1542 (Battery Regulation): This product contains a battery and it is in conformity with the Regulation (EU) 2023/1542. The battery cannot be disposed of as unsorted municipal waste in the European Union. See the product documentation for specific battery information. The battery is marked with this symbol, which may include lettering to indicate cadmium (Cd), or lead (Pb). For proper recycling, return the battery to your supplier or to a designated collection point. For more information see: www.recyclethis.info.

Symbol Conventions

The symbols that may be found in this document are defined as follows.

Symbol	Description
Note	Provides additional information to emphasize or supplement important

Symbol	Description
	points of the main text.
 Caution	Indicates a potentially hazardous situation which, if not avoided, could result in equipment damage, data loss, performance degradation, or unexpected results.
 Danger	Indicates a hazardous situation which, if not avoided, will or could result in death or serious injury.

Safety Instruction

Danger

- It is a Class B product. In the living environment, the product may cause radio interference. In this case, the user may be required to take practical steps to interfere.
- During product installation and use, the electrical safety regulations of the country and area must be strictly observed.
- The plug or socket of the device is the device that disconnects the power supply. Do not block the plug or plug it in.
- Do not connect more than one product to the same power adapter (it may cause excessive heat or fire if the adapter is overloaded).
- Make sure to disconnect the product power supply during wiring, disassembling, etc., and do not power on the device.
- When installing the product on a wall or ceiling, fix the product firmly.
- To avoid heat build-up, keep the device ventilated.
- If product smoke occurs, it may cause odor, or sound noise. Turn off the power supply and unplug the power cable. Please contact the distributor or service center.

- If the product is not working normally, please contact the store or nearest service center of the device. Do not disassemble or edit the product in any way. (The Company shall not be responsible for problems caused by unauthorized editing or repair).

 **Caution**

- Product functions can only be carried out when the product is installed and maintained. This product is used to help you prevent disaster, but it is not a substitute for your on-site inspection, or to stop the accident from happening or expanding. You should still be more vigilant, be safer, and pay careful attention to the safety of your person and property.
- Please follow the installation method in this guide to install the device.
- To prevent injury, the device must be secured to the wall or ceiling.
- The serial port of the device is for debugging only. The user is not allowed.
- The device is only available in areas below 2000 m above sea level.
- Do not let the object fall on the product or vibrate the product so that the product is away from the point where magnetic field interference exists. Do not install the product in the area of surface vibration or shock risk (ignoring this item may damage the product).
- Do not use the product in high temperature, low temperature, or humidity. See the product parameter table for temperature and humidity requirements.
- For low-temperature products, preheat before starting. The pre-heating time should be determined according to different environment. Make sure the heat is enough before starting the product.
- Do not place exposed flame sources, such as lighted candles, on the device.
- Do not target the product lens to strong light source. Otherwise, the camera will be damaged.
- The product cannot be exposed to rain or humidity.
- Do not place the product in an environment with corrosive gas, which may cause damage to the device.
- Avoid placing the product in direct sunshine, in poor ventilation, or near heat sources, such as heaters or heaters (ignoring this item may cause fire hazards).
- When cleaning product lens or shield, use a sufficiently soft dry cloth or other alternative to wipe the outer surface. Do not use basic cleaning agent to wash the lens or shield.

- The product may face network security problems. Please strengthen the protection of personal information and data security. Please contact us as soon as you find the device may have network security risks.
- Please understand that it is your responsibility to reasonably configure all password and other related product security settings, and to properly keep your user name and password.
- Please keep all the original packaging materials of the product properly, so that when the problem persists, the packaging material can be used to package the product and send to the agent or return to the manufacturer. The company shall not be liable for the accidental damage caused by the transportation of non-original packaging material.

 **Note**

Quality requirements for installation and maintenance personnel: Qualification certificate or experience in video system installation and maintenance, and qualification in related work (such as working at height). The following knowledge and operation skills are required.

- Basic knowledge and installation skills of video system and component.
- Basic knowledge and operation skills of low-voltage wiring and low-voltage electronic wiring.
- It has basic network security knowledge and skills, and is able to read the content of this manual.

The requirements of lifting device:

- Use a safe elevator device suitable for installation location and device installation mode.
- The lifting and lifting device has enough lifting and lifting level to reach the installation position.
- The lifting device has good safety performance.

Contents

Chapter 1 Product Introduction	1
1.1 Product Description	1
1.2 Product Function	1
1.3 Appearance Interface	2
1.4 Indicator Status Description	3
Chapter 2 Wiring and Installation	4
2.1 Product Wiring	4
2.2 Product Installation	6
2.2.1 Pre-Installation Description	6
2.2.2 Installation Description	6
Chapter 3 Technical Parameter	8

Chapter 1 Product Introduction

1.1 Product Description

- The manual call point is a field component in the fire alarm system. The device is installed in a public place, when a fire occurs, the manual manually press the starting part to trigger the fire alarm signal.

1.2 Product Function

- Two-wire, convenient for construction wiring.
- Using resettable operating panel, reset by special key.
- Each mounting base contains a reset key, which can be used on demand.

1.3 Appearance Description

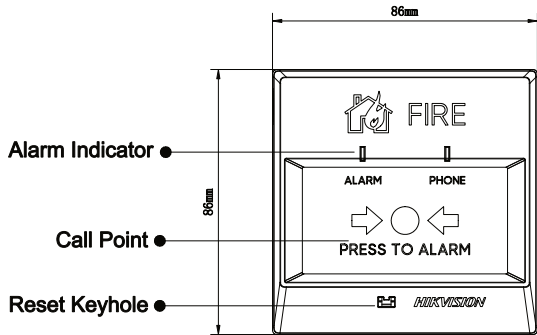


Figure 1-1 Front View of Detector

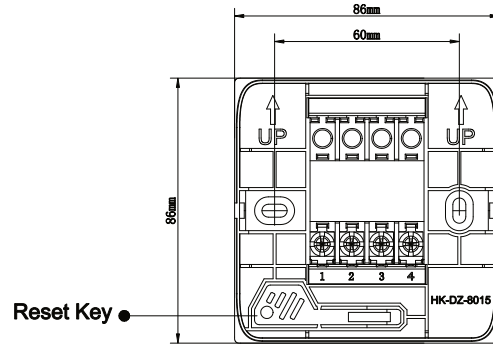


Figure 1-2 Front View of Detector Base

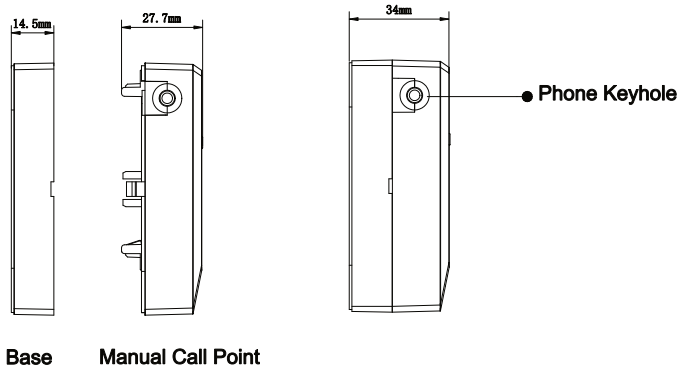


Figure 1-3 Exploded Side View of Detector with Base

1.4 Indicator Status Description

Indicator	Indicator Color	Status	Description
Alarm	Red	Flash	Device is polling.
		Always on	Trigger fire alarm
Phone	Red	Always on	On the phone

Chapter 2 Wiring and Installation

2.1 Product Wiring

For HF-CMP1

There are four labeled wiring terminals on the device base. L+ connects to terminal 1, L- connects to terminal 2, the wiring for the next MCP should be led out from 1 and 2 of the previous MCP's wiring. if the MCP is the last node of the loop, the terminal resistor should be connected to terminal 1 and 2. The wiring diagram is as follows:

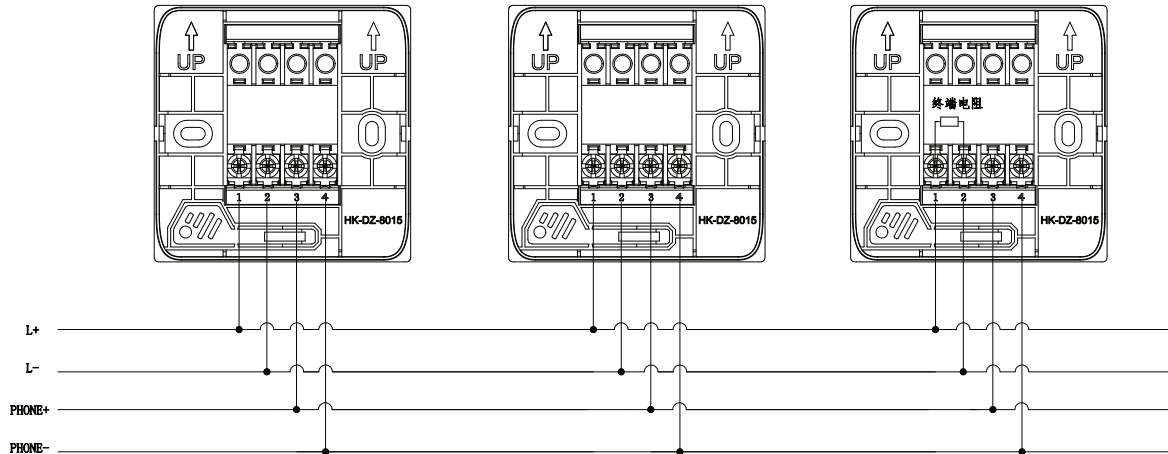


Figure 2-1 Wiring Figure

For HF-AMP1

There are four labeled wiring terminals on the device base, among which L+ and L- are two bus wiring terminals, and PHONE+ and PHONE- are phone wiring terminals. The wiring diagram is as follows:

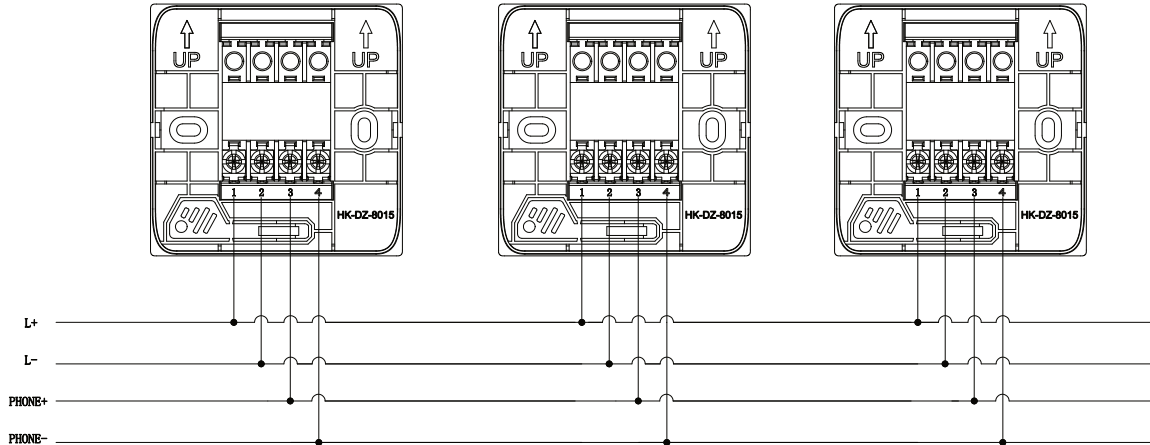


Figure 2-2 Wiring Figure

2.2 Product Installation

2.2.1 Pre-Installation Description

- Please follow the installation method in this guide to install the device.
- When installing, make sure the product is secure.
- Please make sure the device in the box is intact and all components are complete before installation.

2.2.2 Installation Description

Before installing the device, select the correct installation location according to actual needs.

Steps

1. Fix the base to the ceiling or embedded box using two M4 screws at the installation hole of the base.

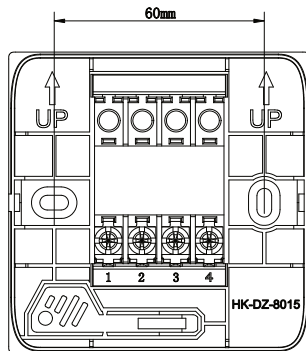


Figure 2-3 Installation Figure

2. Attach the detector to the base until you hear "Ka-Da" sound. Check whether the detector is aligned with the marker line on the base and whether there is no gap between the detector and the base to ensure a tight joint.

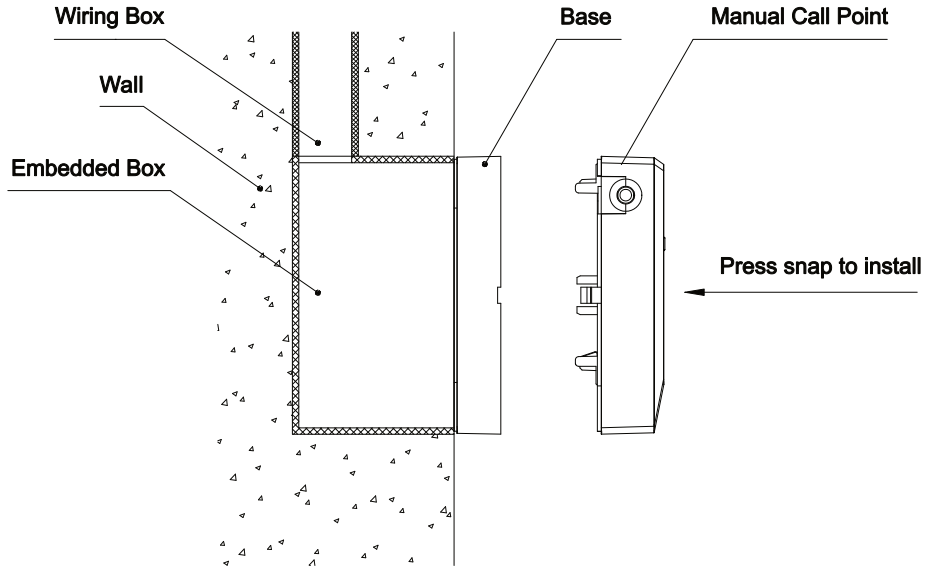


Figure 2-4 Installation Figure

Chapter 3 Technical Parameter

Table 3-1 Specification

Items	HF-CMP1	HF-AMP1
Weight	99 g	
Main Power Supply	DC 24 V (DC 18 V ~ DC 28 V)	
Indicator	2 Red, 1 for Fire Alarm, 1 for Phone	
Wiring	1 is for L+, 2 is for L-, 3 is for PHONE+, 4 is for PHONE-	
Reset Mode	Special key manual reset	
Monitor Current	$\leq 200 \mu\text{A}$	
Alarm Current	$\leq 10 \text{ mA}$	$\leq 0.3 \text{ mA}$
Product Dimension	L 86 mm * W 86 mm * H 34 mm (with base)	
Alarm Mode	Manually press the starting part	
Wiring Requirements	RVS 2*1.5mm ² Flame Retardant Wire, Max distance: 500 m	



See Far, Go Further

UD45682B